

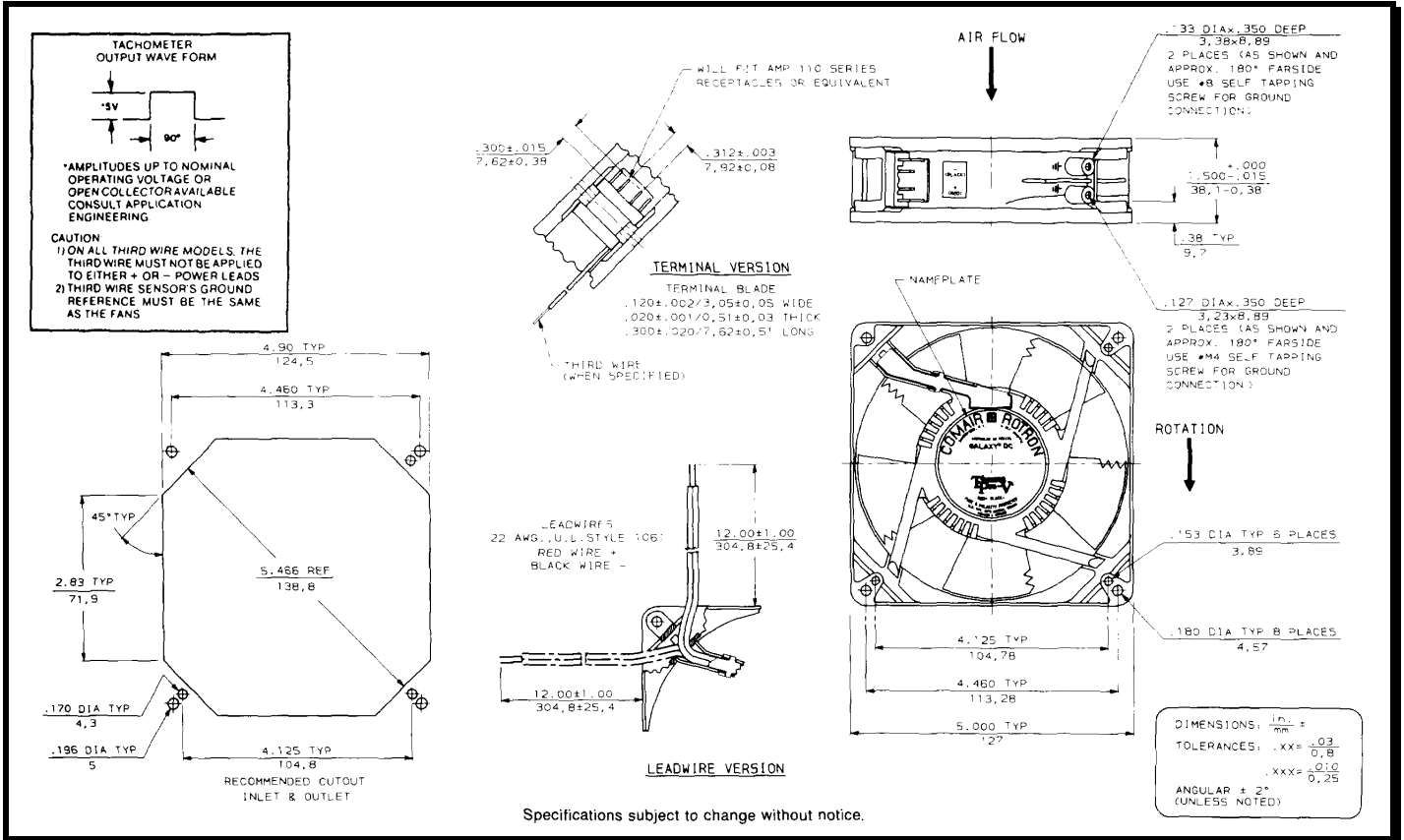
SPECIFICATIONS



Model Number: GL12S7Z
Part Number: 19040215A

Apr. 4, 2015

Mechanical Drawing:



Motor:

Nominal Voltage = 12 vdc
 Operating Voltage Range = 6 - 14 vdc
 Nominal Running Current = 2.500 amps
 Locked Rotor Current = 5.000 amps
 Running Power = 30.0 watts
 Average Speed = 4150 rpm
 Bearings = Ball
 Air Flow = 190 CFM
 Acoustic = 58.9 dBA

Construction:

Venturi: Die Cast Zinc Alloy, Black.
 Propeller: Plastic, Black, UL 94V-0.

Life Expectancy:

This fan is designed for continuous duty life of 62,000 hours at 50°C.

Agency Approvals:

UL,CE

Additional Features:

Brushless DC Motor
 Locked Rotor Protection
 Reverse Polarity Protected
 Operating Temperature: -10°C to 70°C
 Storage Temperature: -40°C to 85°C
 Thermal Speed Control (PTC in hub)

Tachometer:

Output: 5vdc TTL Compatible
 I_c: 5mA Typical
 Isolated: No
 Pulses per Revolution: 2

Termination:

12" Lead wires, 22 AWG, UL 1061
 Red - Power
 Black - Return
 Blue/White - Tachometer Output