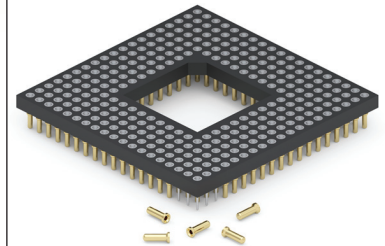
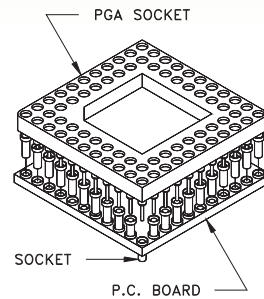


# PIN GRID ARRAY SOCKETS

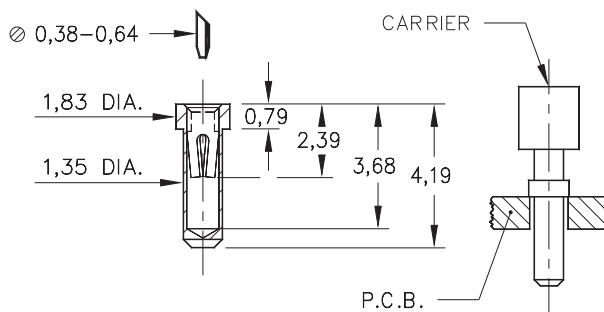
## SERIES 605, 614 • 2,54 AND INTERSTITIAL GRID • CARRIER TYPE

- Series 614 & 605 PGA carrier sockets offer 4 receptacle styles
- Many combinations of receptacles and clips to cover all applications
- Carrier sockets provide a convenient way of loading groups of receptacles onto a PC board
- Removeable insulator makes carriers ideal for low profile applications
- High temperature PCT polyester insulator material suitable for all forms of soldering including lead-free
- For Electrical, Mechanical and Environmental Data, see page 137 for details

### APPLICATION OF PGA SOCKET CARRIERS

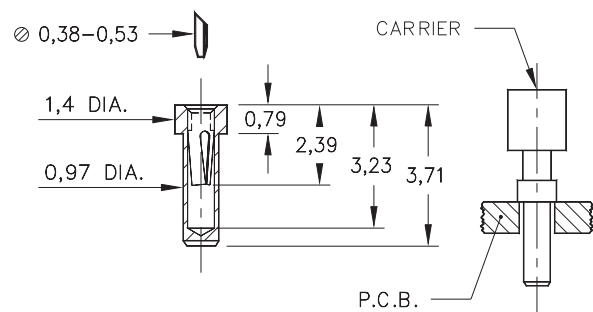


### SERIES 614...001, 002, 003 LOW PROFILE SOCKET

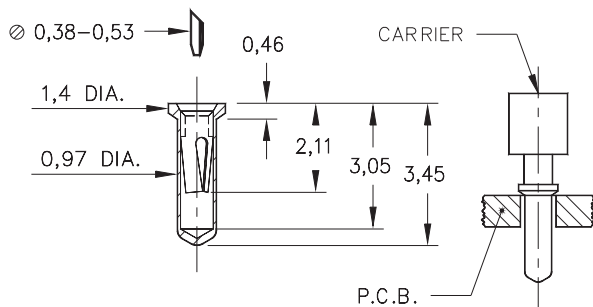


For .100" Grid Only

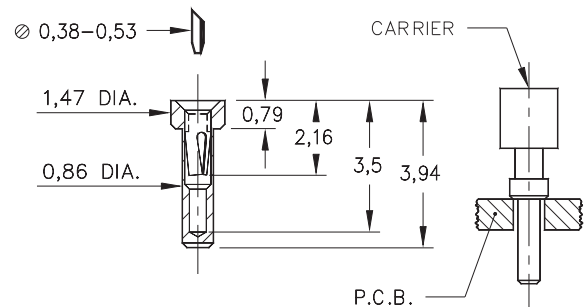
### SERIES 614...007 MINIATURE SOCKET



### SERIES 614...012 LOWEST PROFILE SOCKET



### SERIES 605...048 REDUCED BARREL SOCKET



XX=Plating Code  
See Below

RoHS-2  
2011/65/EU

Visit [www.mill-max.com/pga](http://www.mill-max.com/pga)  
to configure a formal part number

SPECIFY PLATING CODE XX=	13	93	43
Sleeve (Pin)	0,25µm Au	5,08µm Sn/Pb	5,08µm Sn
Contact (Clip)	0,76µm Au	0,76µm Au	0,76µm Au

