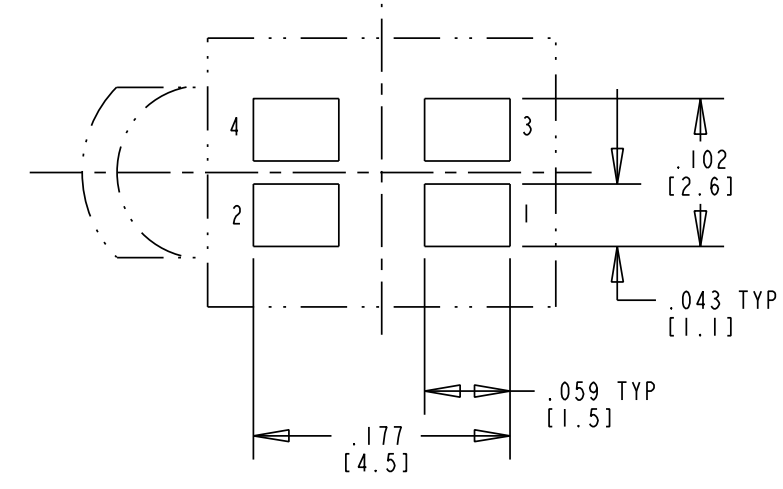


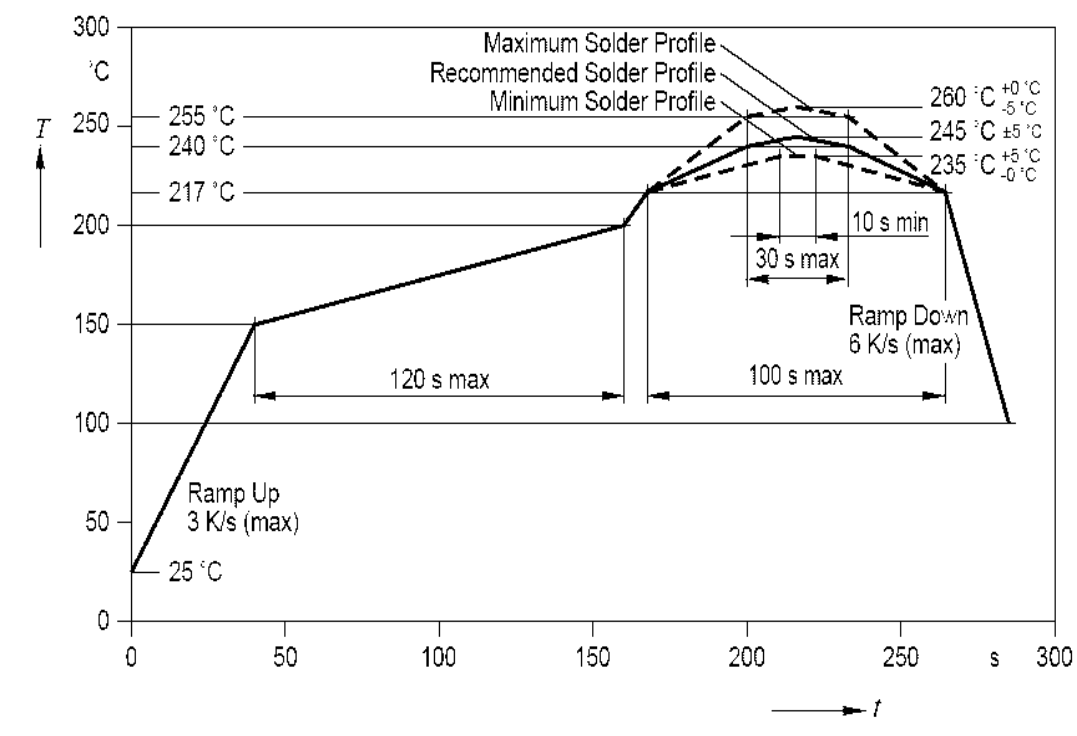
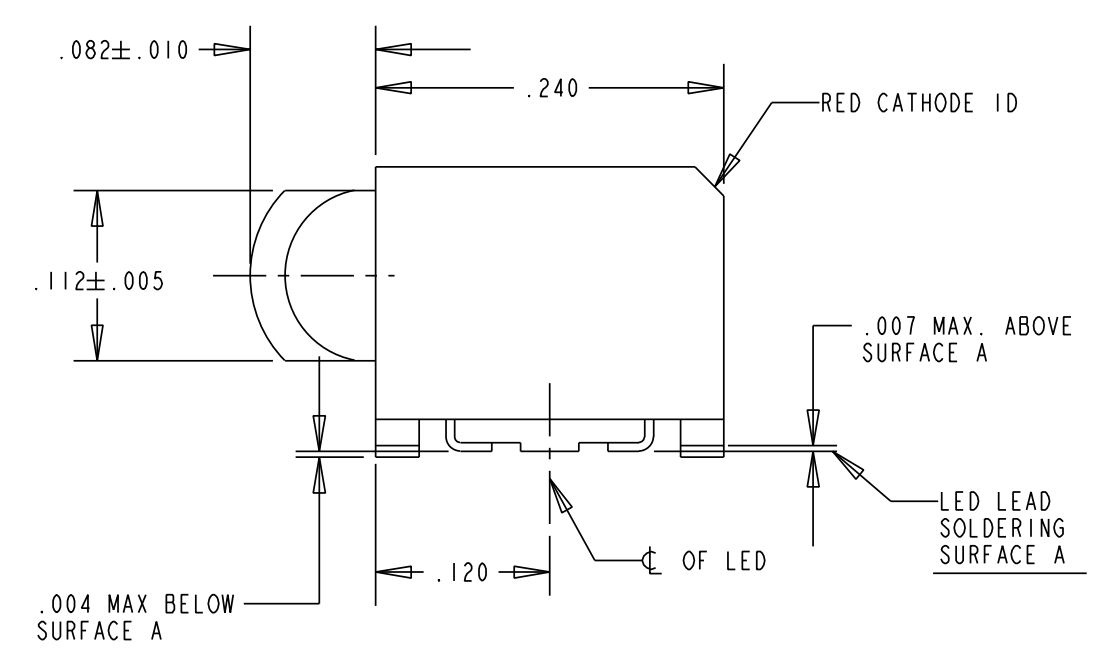
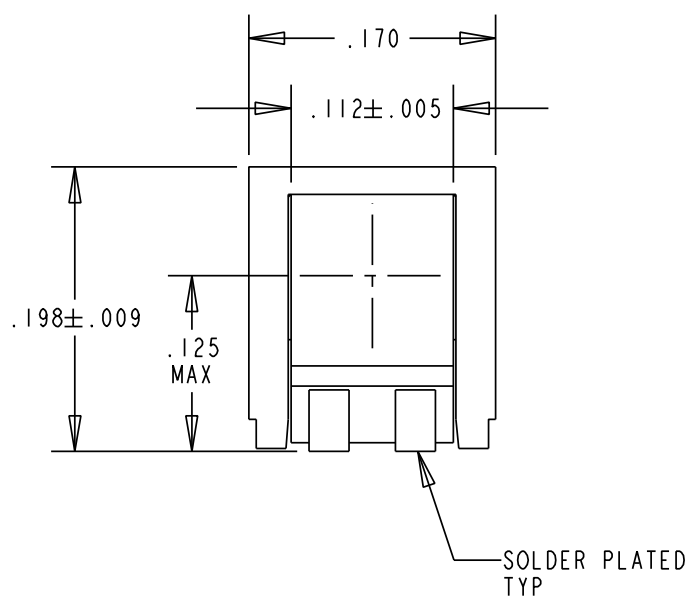
REV.	ECN NO.	REVISIONS	DRN.	CKD.	APP.	DATE
A		NEW RELEASE	TWC			

BI-COLOR OPERATING CHARACTERISTICS AT T _a = 25 °C AMBIENT																			
DIALIGHT P/N	COLOR	I _f (mA)	FORWARD VOLTAGE (V)		LUMINOUS INTENSITY (mcd)		REVERSE CURRENT (μA)		PEAK WAVELENGTH (nm)		DOMINANT WAVELENGTH (nm)		REVISIONS						
			TYP.	MAX.	MIN.	TYP.	MAX.	TYP.	MAX.	TYP.	MIN.	TYP.	MAX.	REV.	ECN.	DRN.	DATE		
591-3001-102F	RED GREEN	10	2.0	2.5	4.5	11.3	18.0	.01	10	635	572	622	570	628	634	A		TWC	8-8-05
591-3001-107F	RED GREEN	10	2.0	2.5	4.5	11.3	18.0	.01	10	635	572	622	564	628	570	A		TWC	8-8-05
591-3001-113F	RED GREEN	10	2.0	2.5	4.5	11.3	18.0	.01	10	635	572	622	564	628	634	A		TWC	8-8-05

ABSOLUTE MAXIMUM RATING AT 25°C AMBIENT	591-3001-1XXF			UNITS
	102F RED GREEN	107F RED GREEN	113F RED GREEN	
POWER CONSUMPTION	95			mW
CONTINUOUS FORWARD CURRENT	30			mA
REVERSE VOLTAGE	5			V
OPERATING TEMPERATURE	-40 TO +100			°C
STORAGE TEMPERATURE				

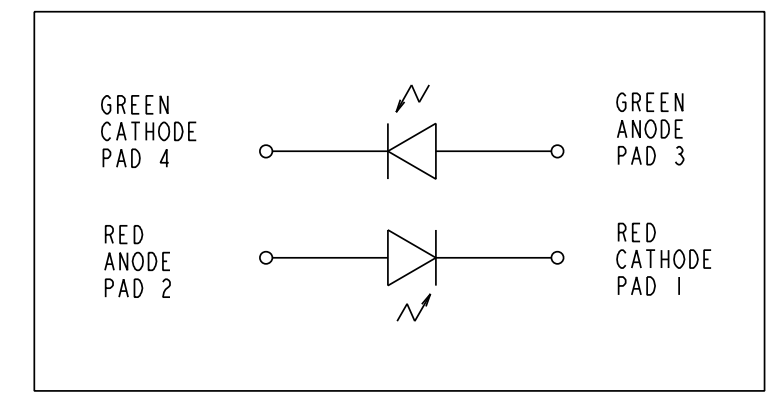
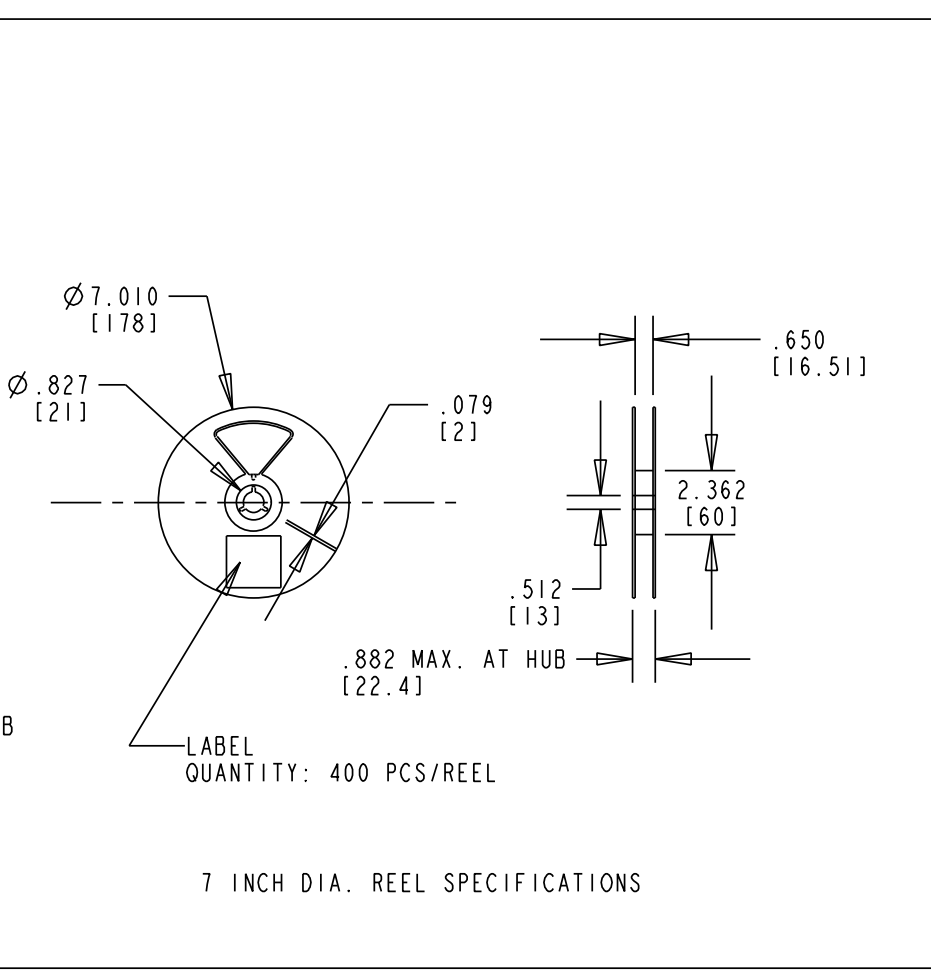
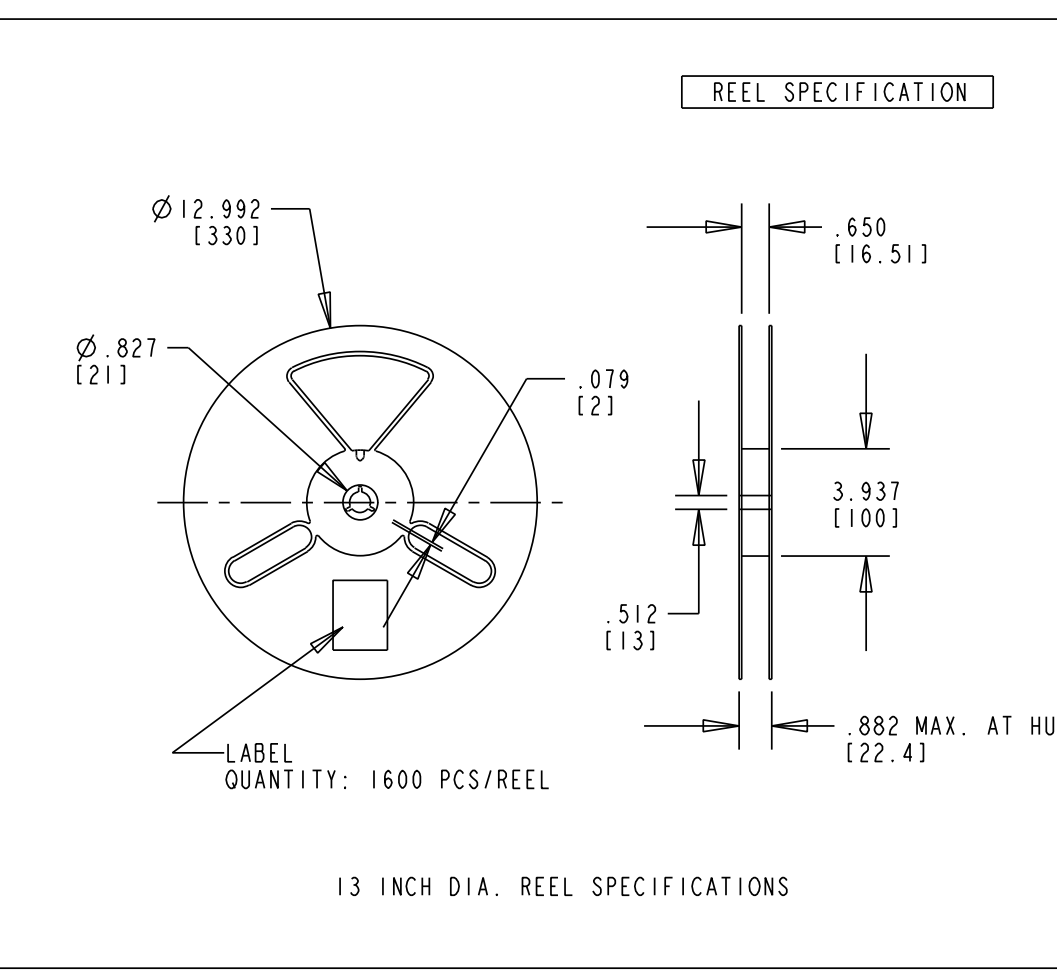
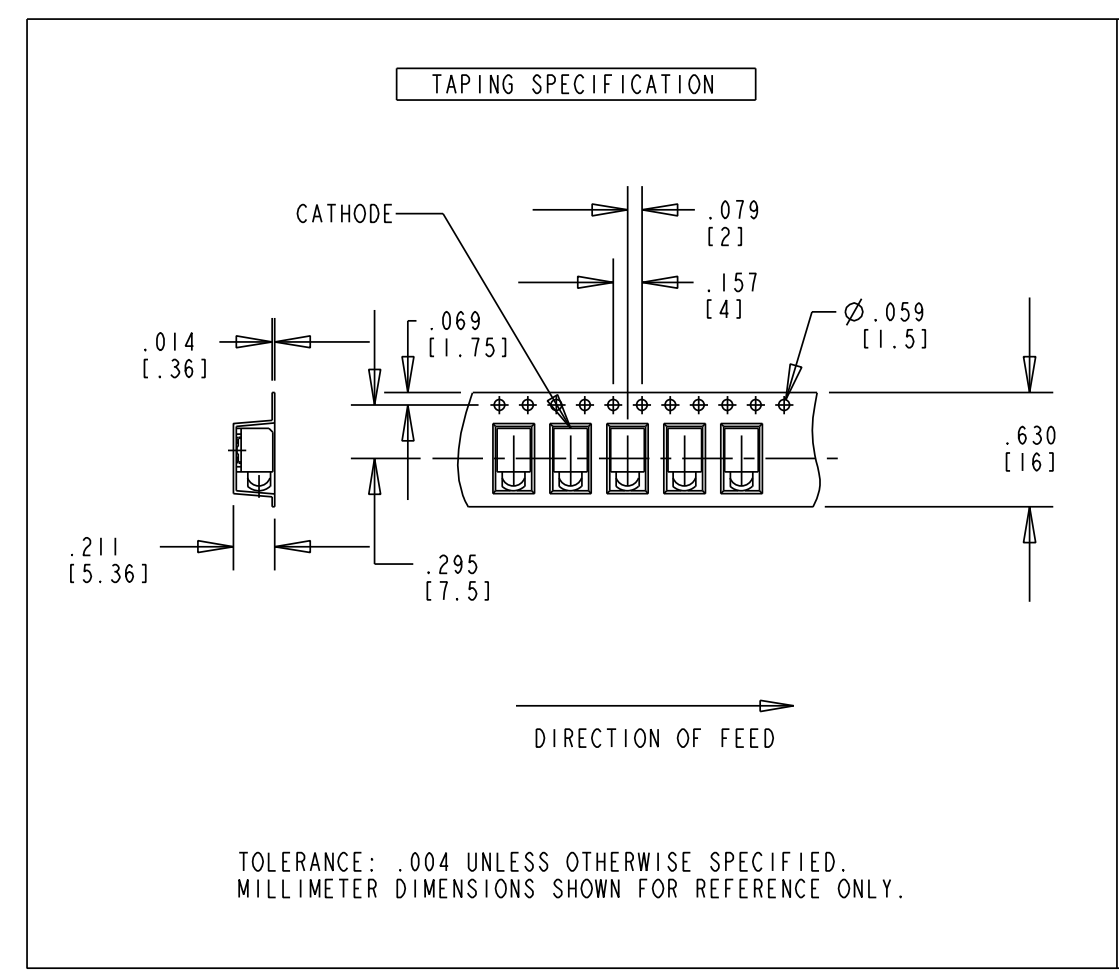


COMPONENT SIDE
RECOMMENDED PC BOARD LAND PATTERN
(DIM'S ± .004)



NOTES:

- MILLIMETER DIMENSIONS SHOWN FOR REFERENCE ONLY.
- PAD NUMBERS FOR REFERENCE ONLY. DESIGNATION NON-EXISTENT ON PART.
- STORAGE CONDITIONS FOR TAPED PRODUCT: RE-TAPING MAY BE NECESSARY FOR PRODUCT STORED MORE THAN TWELVE MONTHS.
- LEADS: TIN (Sn) OVER NICKEL (Ni) ON COPPER ALLOY (Cu)
- ORDER QUANTITY IS LED ASSEMBLIES. NOT REELS.
- 102F SUFFIX MEANS PARTS ARE PACKED ON A 20 PCS SAMPLE STRIP.
-107F SUFFIX MEANS PARTS ARE PACKED ON 7 INCH REEL, 400 PCS/REEL.
-113F SUFFIX MEANS PARTS ARE PACKED ON A 13 INCH REEL, 1600 PCS/REEL.
- LENS MOVEMENT IN RELATIONSHIP TO THE HOUSING IS:
.009" T.I.R. VERTICALLY.
.007" T.I.R. HORIZONTALLY.
- FRONT AND REAR TERMINALS OF ASSEMBLY TO BE WITHIN .005 COPLANARITY.
- DIALIGHT PART NUMBER: 591-3001-102F, 591-3001-107F, 591-3001-113F.
- DEVICE HAS A MOISTURE SENSITIVITY LEVEL "2" CAUTION LABEL APPLIED AS PER JEDEC STD. 033.
- THIS PRODUCT IS RoHS COMPLIANT (Pb FREE). EACH BAG AND REEL IS MARKED WITH THE RoHS COMPLIANT LABEL P/N 9100-117-0852-99 OR EQUIVALENT MARKINGS.



THIS DRAWING AND THE CONTENTS HEREIN ARE CONFIDENTIAL AND THE SOLE PROPERTY OF DIALIGHT. REPRODUCTION OF THIS DRAWING OR CONSTRUCTION OF ANY PARTS WITHIN THIS DRAWING ARE FORBIDDEN WITHOUT THE WRITTEN CONSENT OF DIALIGHT.		
SCALE: DRAWING SCALE	DRAWING NUMBER	REV
ALL DIM'S IN: INCHES (MM)	C-17282	A
TOLERANCES: UNLESS OTHERWISE SPECIFIED	TITLE 3mm PRISM SURFACE MOUNT CBI	
FRACTIONS: ±1/64	MATERIAL RoHS COMPLIANT	
DECIMALS (.XX): ±.01	FINISH:	
DECIMALS (.XXX): ±.005	FSCM 83330	
DECIMALS (.XXXX): ±.0005	SHEET 1 OF 1	
ANGLES: ±1°	FAMILY TABLE:	
	Dialight 1501 ROUTE 34 SOUTH FARMINGDALE, NJ 07727	

TOLERANCE: .004 UNLESS OTHERWISE SPECIFIED.
MILLIMETER DIMENSIONS SHOWN FOR REFERENCE ONLY.