

DETAILS

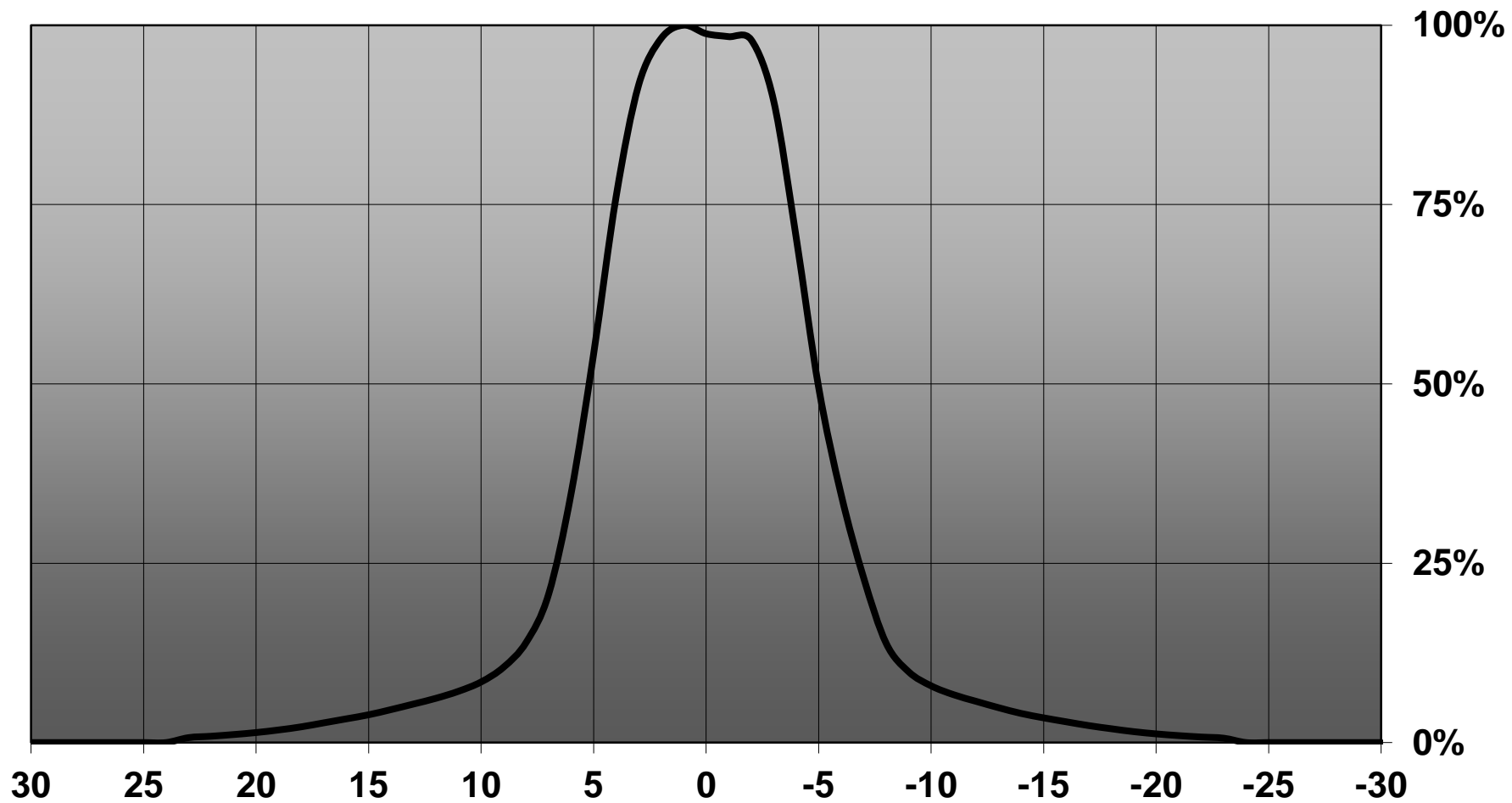
Product Number	CA11663_HEIDI-RS
Family	Heidi
Type	Assembly
Color	clear
Diameter	21,6 mm
Height	11,7 mm
Style	round
Optic Material	PMMA
Holder Material	
Fastening	pin, tape
Status	production ready
ROHS Compliant	Yes
Date Updated	8/06/2016



OPTICAL PROPERTIES

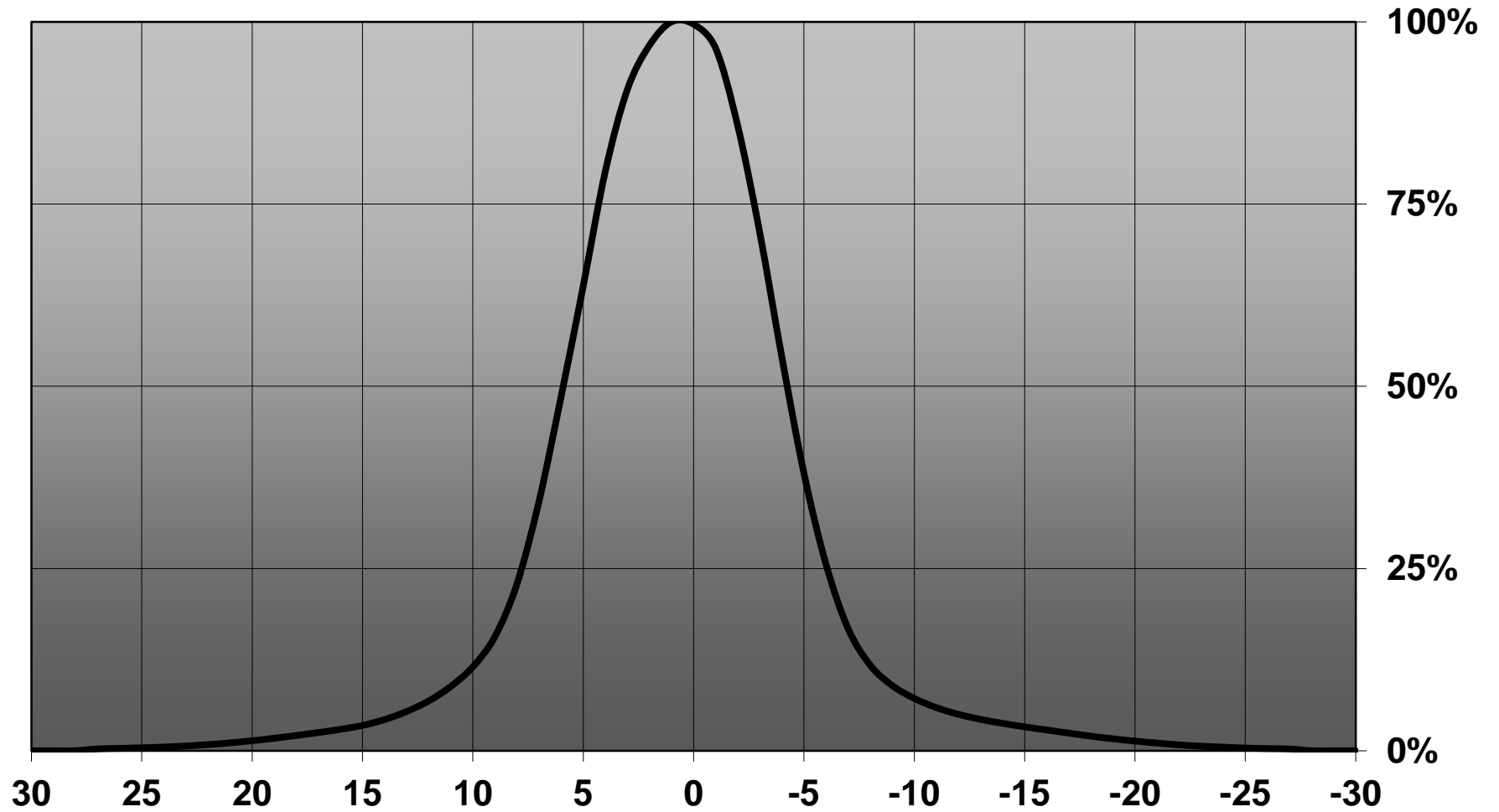
LED	Viewing	Light	Effi-	cd/lm	Connector
	Angle	Beam	ciency		
XP-E	8 deg	Real spot	93 %	26.800	-
XP-G	9 deg	Real spot	93 %	16.600	-
XB-D	8 deg	Real spot	91 %	19.700	-
XP-E2	8 deg	Real spot	90 %	38.000	-
XP-G2	11 deg	Real spot	91 %	19.100	-
XB-H	10 deg	Real spot	90 %	18.300	-
LUXEON T	11 deg	Real spot	92 %	16.300	-
LUXEON TX	10 deg	Real spot	90 %	19.500	-
LUXEON C	7 deg	Real spot	92 %	35.550	-
NCSxx19A	8 deg	Real spot	89 %	19.000	-
NVSxx19A	10 deg	Real spot	89 %	13.900	-
NVSxx19B/NVSxx19C	12 deg	Real spot	92 %	13.900	-
NCSxx19B	9 deg	Real spot	90 %	25.200	-
Oslon SSL 80	6 deg	Real spot	90 %	29.400	-
Oslon SSL 150	7 deg	Real spot	93 %	24.700	-
Oslon Square EC	sim: 12	Real spot	-	sim: 11.750-	-
Oslon Square Gen3	10 deg	Real spot	89 %	20.800	-
Fortimo FastFlex LED board 2x8/757 DS	13 deg	Real spot	92 %	19.000	-
LH351Z	11 deg	Real spot	89 %	20.700	-
Z5	7 deg	Real spot	93 %	32.700	-
Z5M1/Z5M2	11 deg	Real spot	94 %	17.770	-

Relative intensity of CA11663_HEIDI-RS_(XB-H)



— C1 0-180

Relative intensity of CA11663_HEIDI-RS_(Square_Gen3)



D

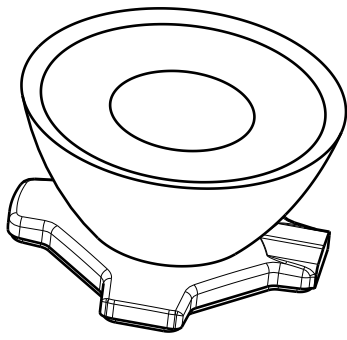
C

B

A

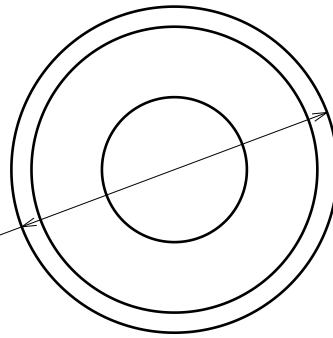
4

4



Isometric view

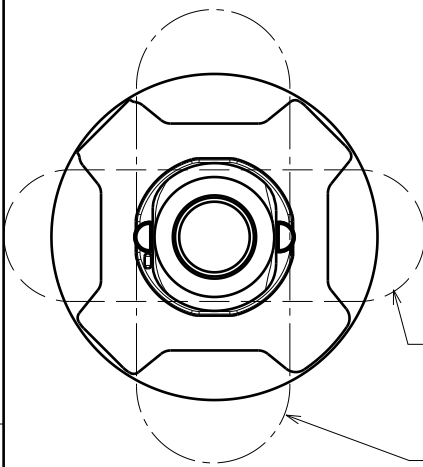
Ø 21.6



Top view

3

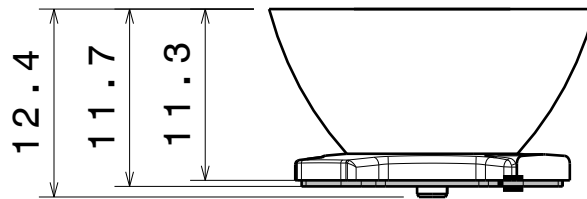
3



Bottom view
OVAL BEAM direction

Heidi-0

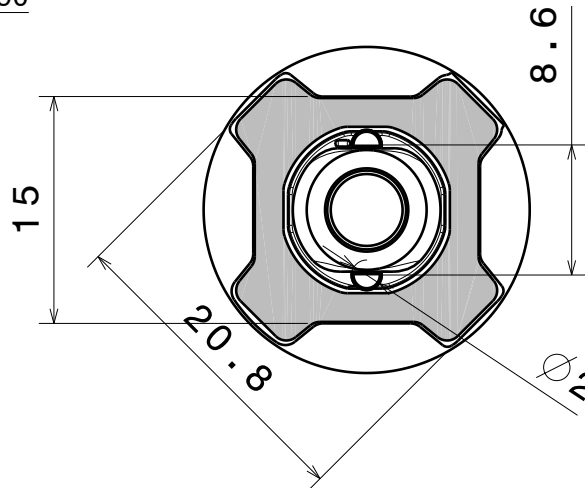
Heidi-0-90



Front view

2

2



8.6 Between pin midpoints

Bottom view

Material:
Lens PMMA
Tape PU Foam

This drawing is our property.
It can't be reproduced
or communicated without
our written agreement.



Ledil Oy
Salorankatu 10
FIN-24100 SALO
Finland

DRAWING TITLE

Datasheet Heidi-Series Assy

DRAWN BY
ah

DATE
1.2.2012

CHECKED BY

DATE

SIZE
A4

DRAWING NUMBER

REV
2

DESIGNED BY

DATE

SCALE 2:1 WEIGHT (g)

SHEET 1/1

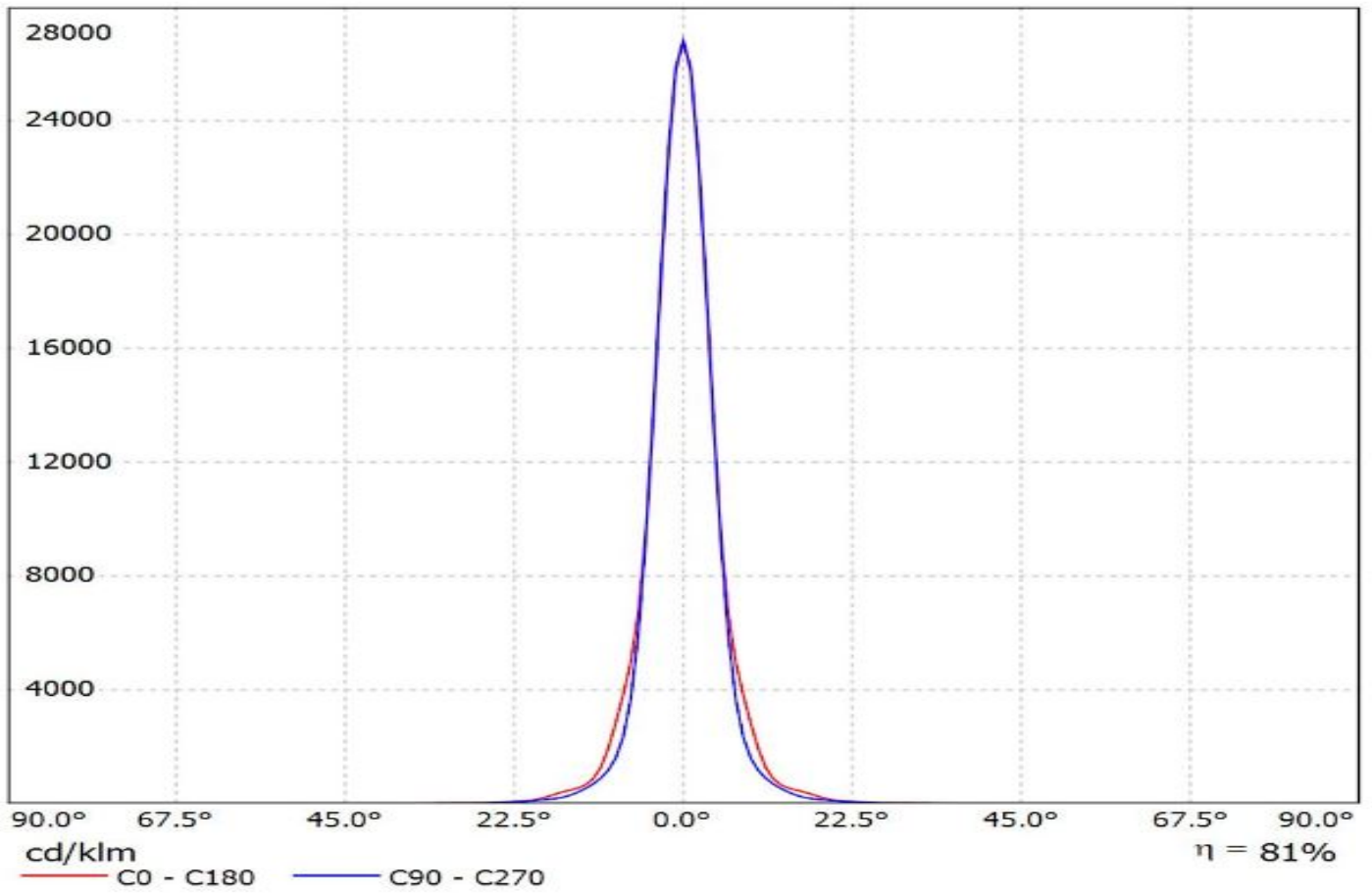
D

A

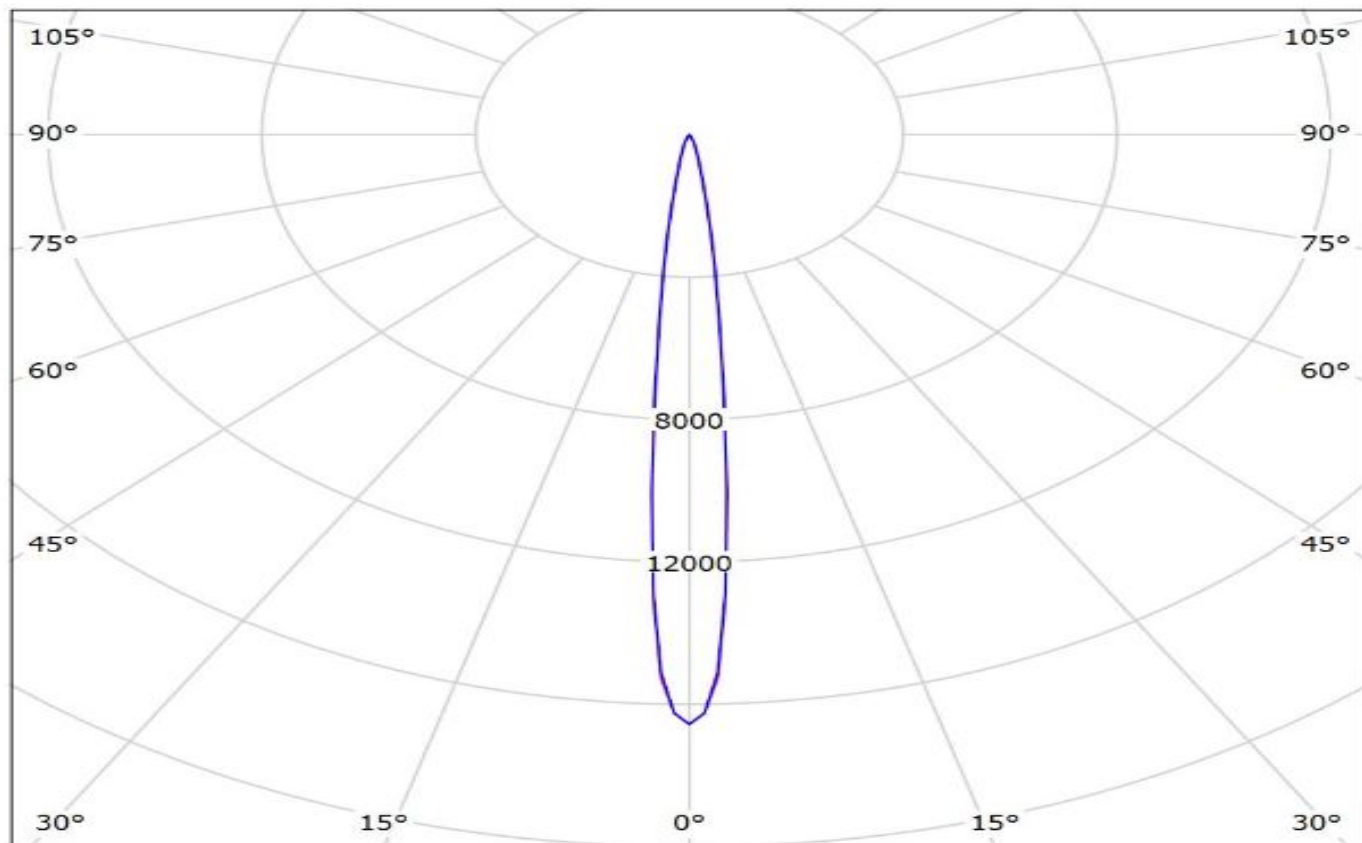
1

1

Luminaire: Ledil Oy CA11663_Heidi-RS-XP
Lamps: 1 x Cree XP-E 250mA 74lm

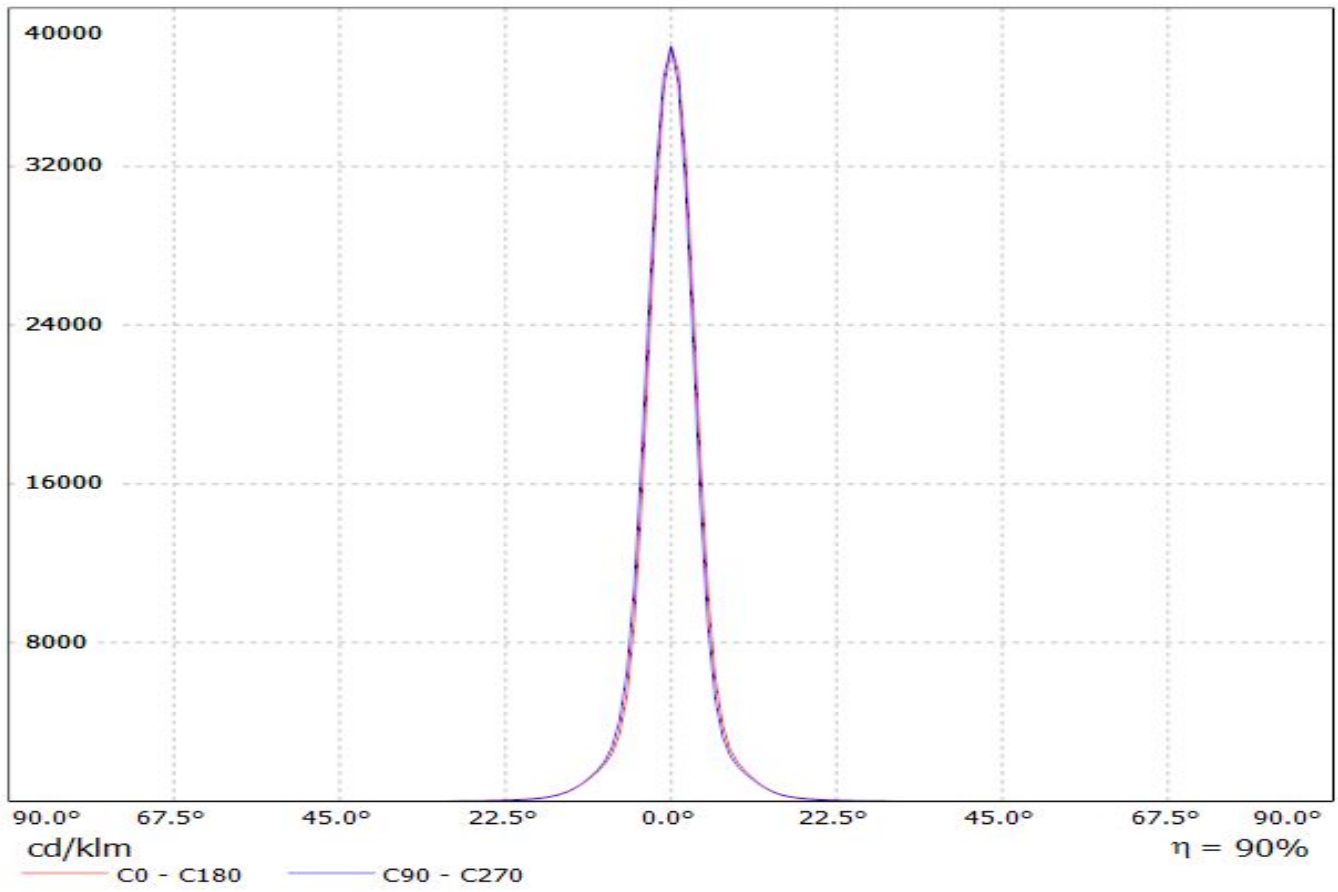


Luminaire: Ledil Oy CA11663_Heidi-RS-XP-G CA11663_Heidi-RS-XP-G
Lamps: 1 x Cree XP-G white

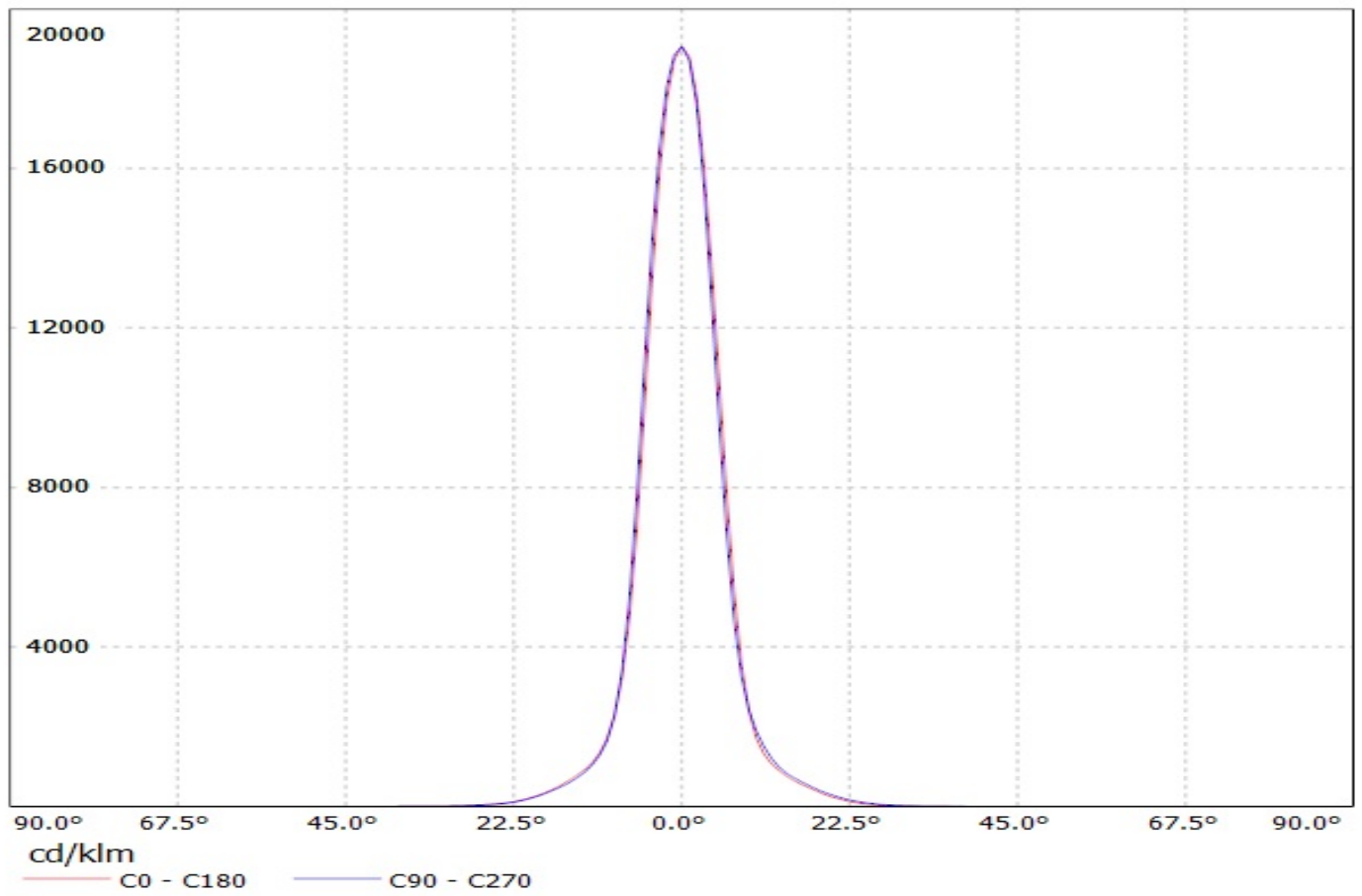


cd/klm
C0 - C180 C90 - C270

Luminaire: LEDiL Oy CA11663_HEIDI-RS_(XP-E2) Eff. 90%
Lamps: 1 x Cree XP-E2 92lm@250mA CCT:5500K P:0.8W

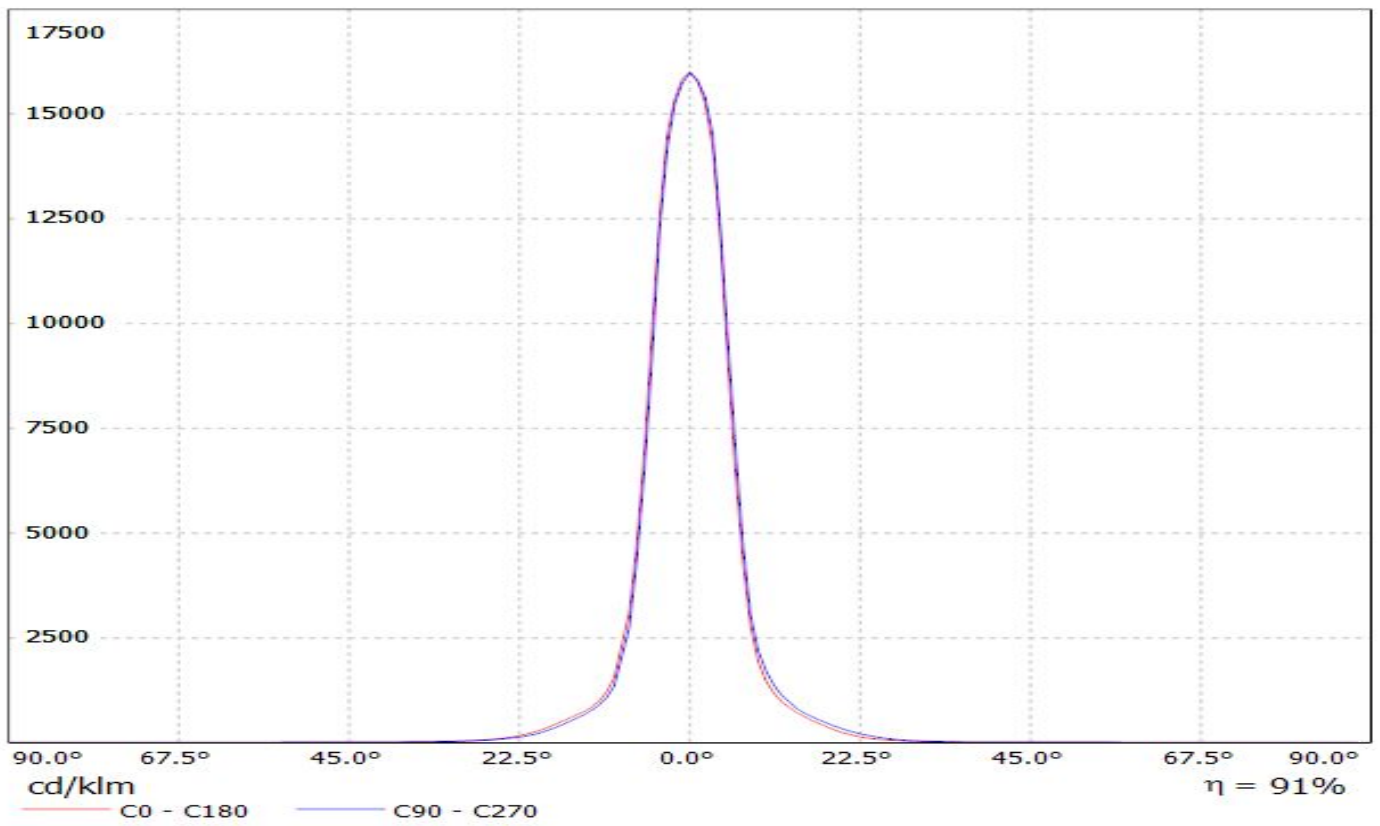


Luminaire: LEDil Oy CA11663_HEIDI-RS_(XP-G2) Efficiency=91%
Lamps: 1 x Cree XP-G2 (XPGBWTL1-0000-00FE4) 100.7lm @ 250mA CCT=4900K P=0.7W I=250mA

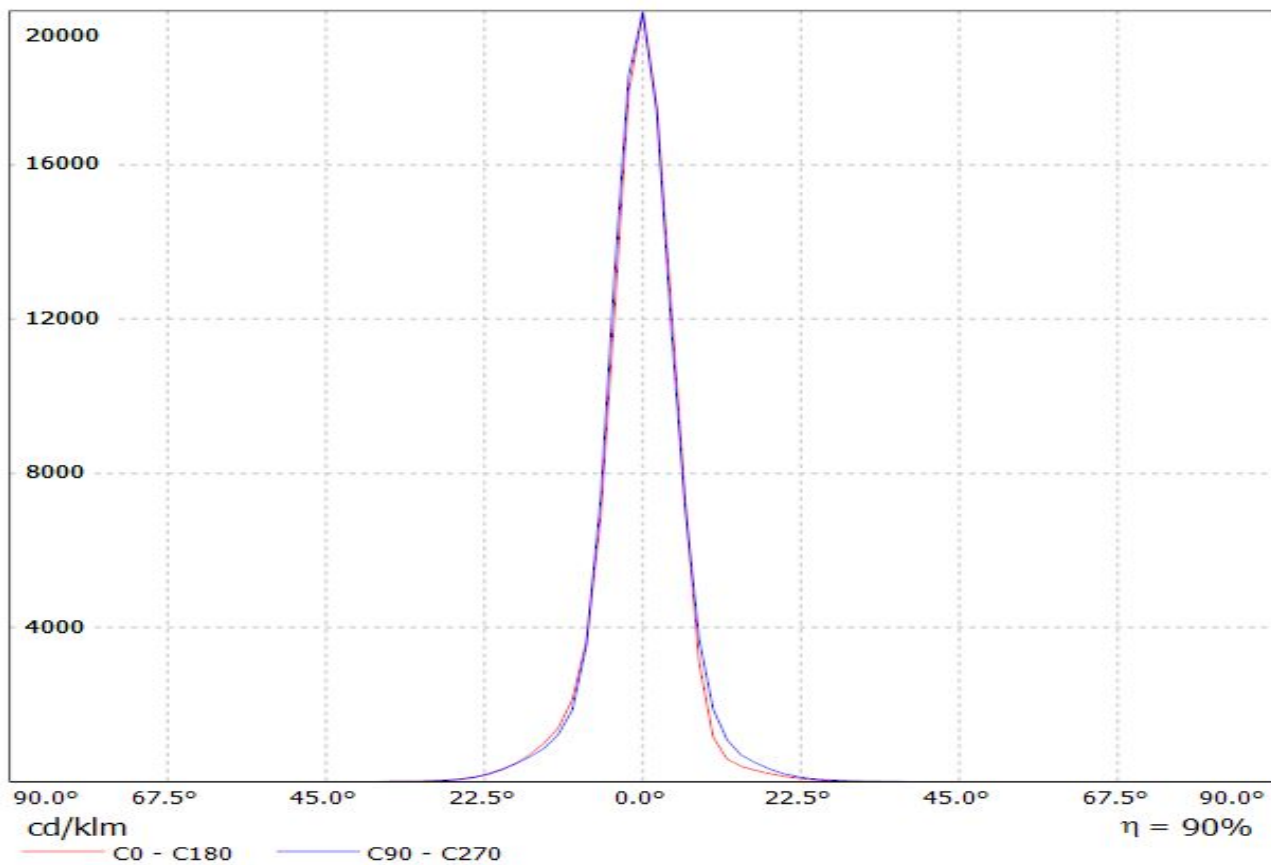


LEDiL Oy CA11663_HEIDI-RS_(LUXEON_T)_1 Eff.91.7% / LDC (Linear)

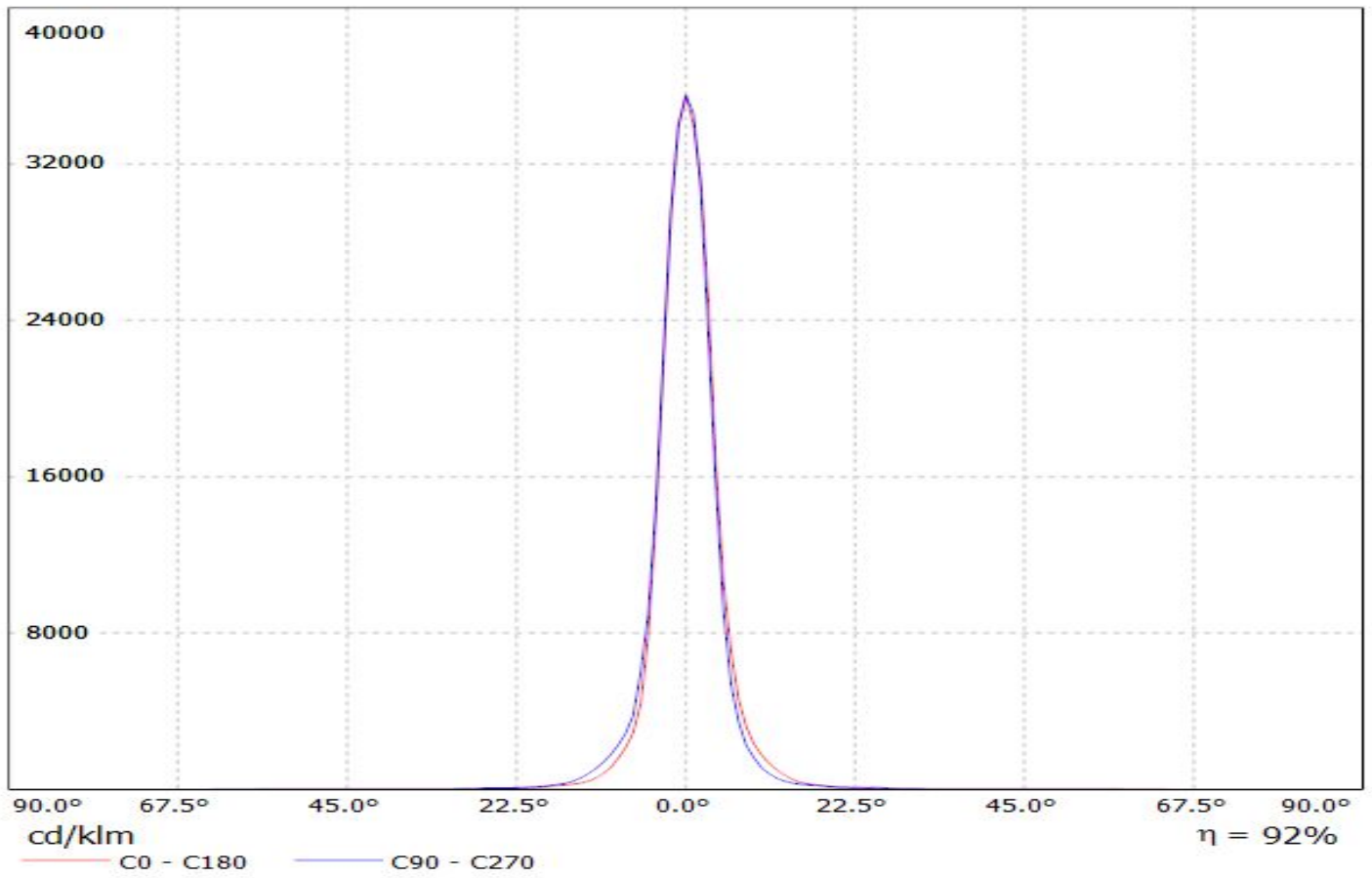
Luminaire: LEDiL Oy CA11663_HEIDI-RS_(LUXEON_T)_1 Eff.91.7%
Lamps: 1 x LUXEON T (74lm@250mA)



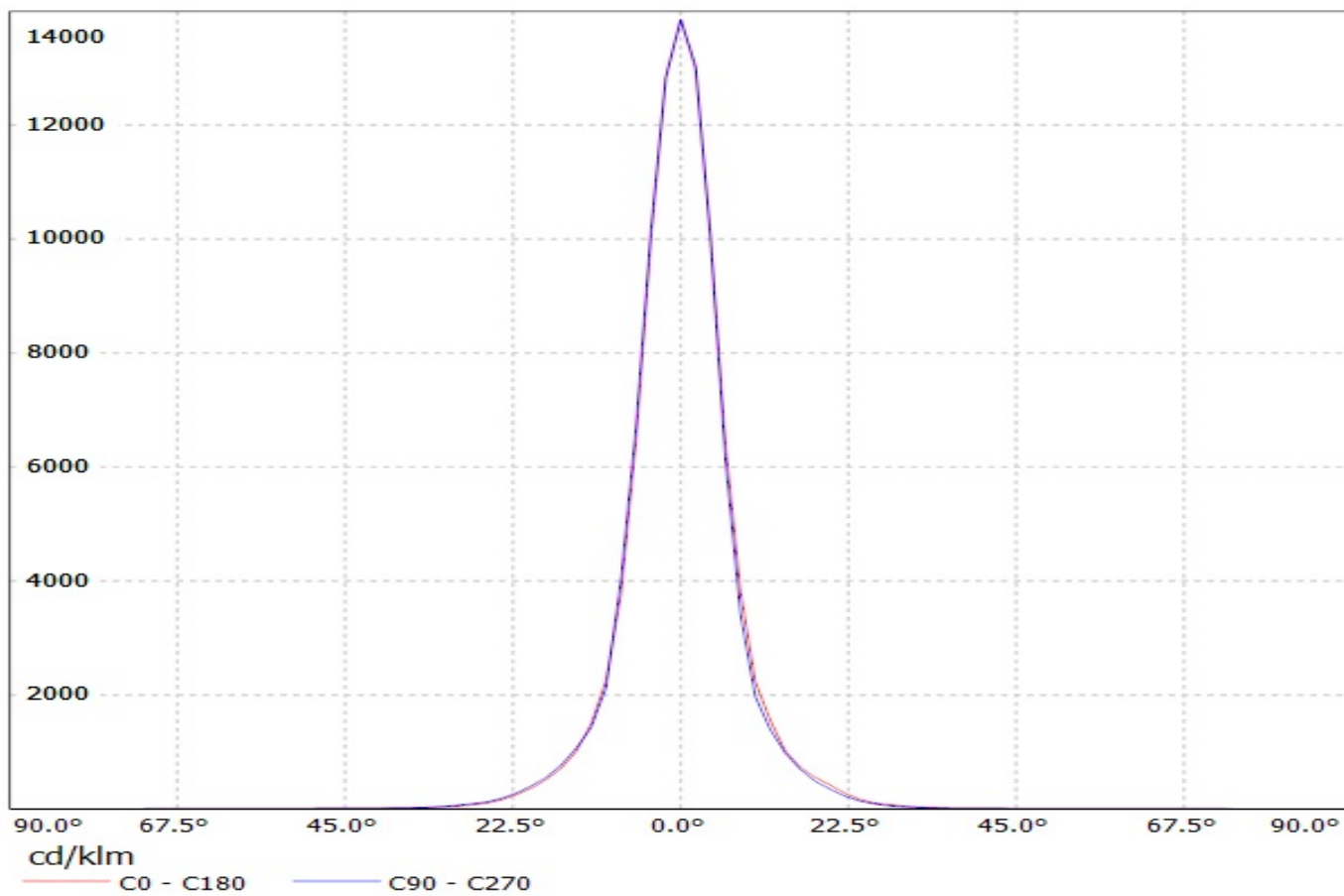
Luminaire: Ledil Oy CA11663_HEIDI-RS_(Luxeon_TX)
Lamps: 1 x Luxeon TX (L1T2-3585) 108lm @ 250mA CCT=3521K P=0.73W I=250mA



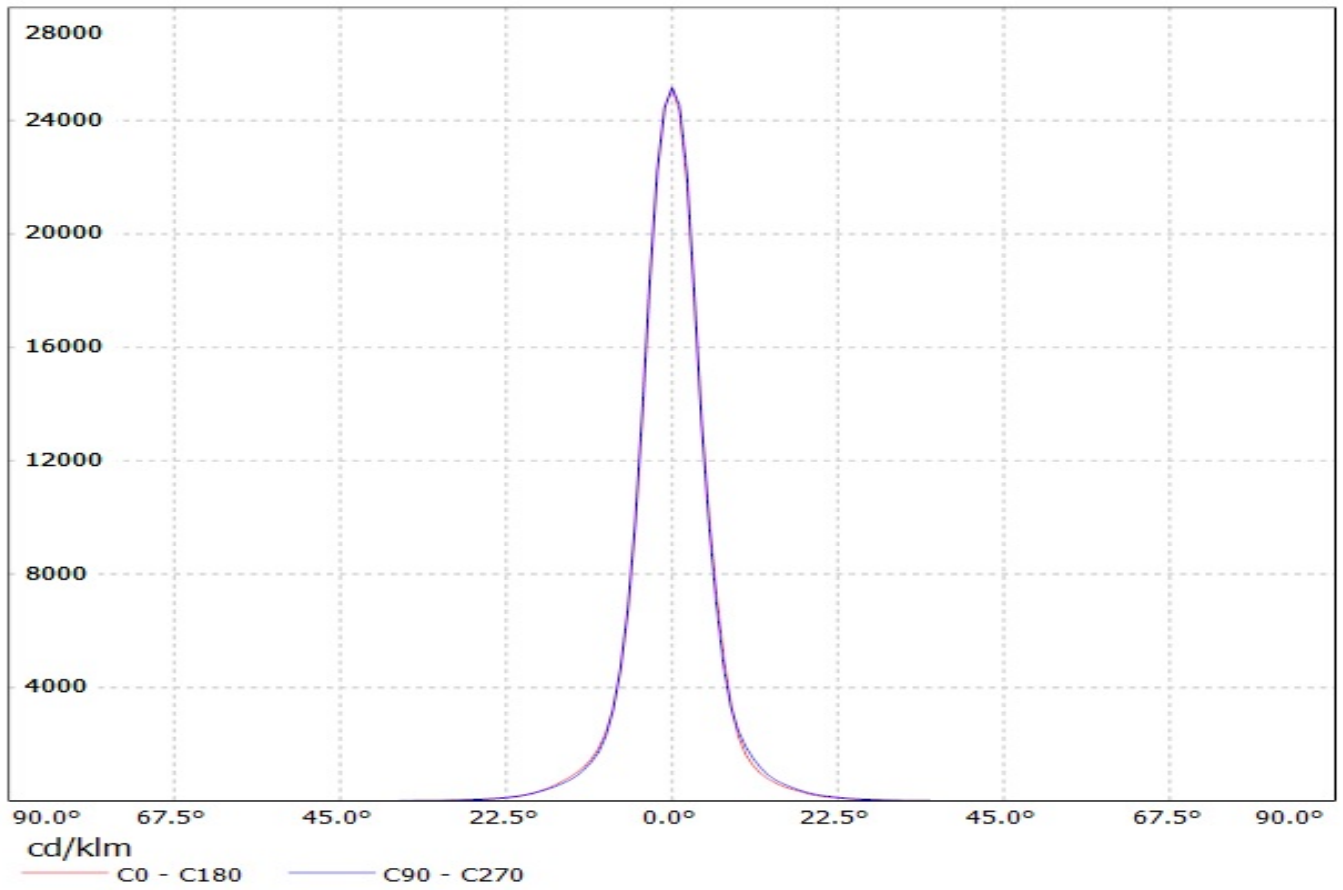
Luminaire: LEDiL Oy CA11663_HEIDI-RS_(Luxeon_C_WHITE)
Lamps: 1 x Luxeon_C_WHITE_84.6969lm@250mA_P=0.7410W_I=0.250A



Luminaire: Ledil Oy CA11663_HEIDI-RS (Nichia 219B 109lm @ 250mA) Efficiency=92%
Lamps: 1 x Nichia 219B 109lm @ 250mA

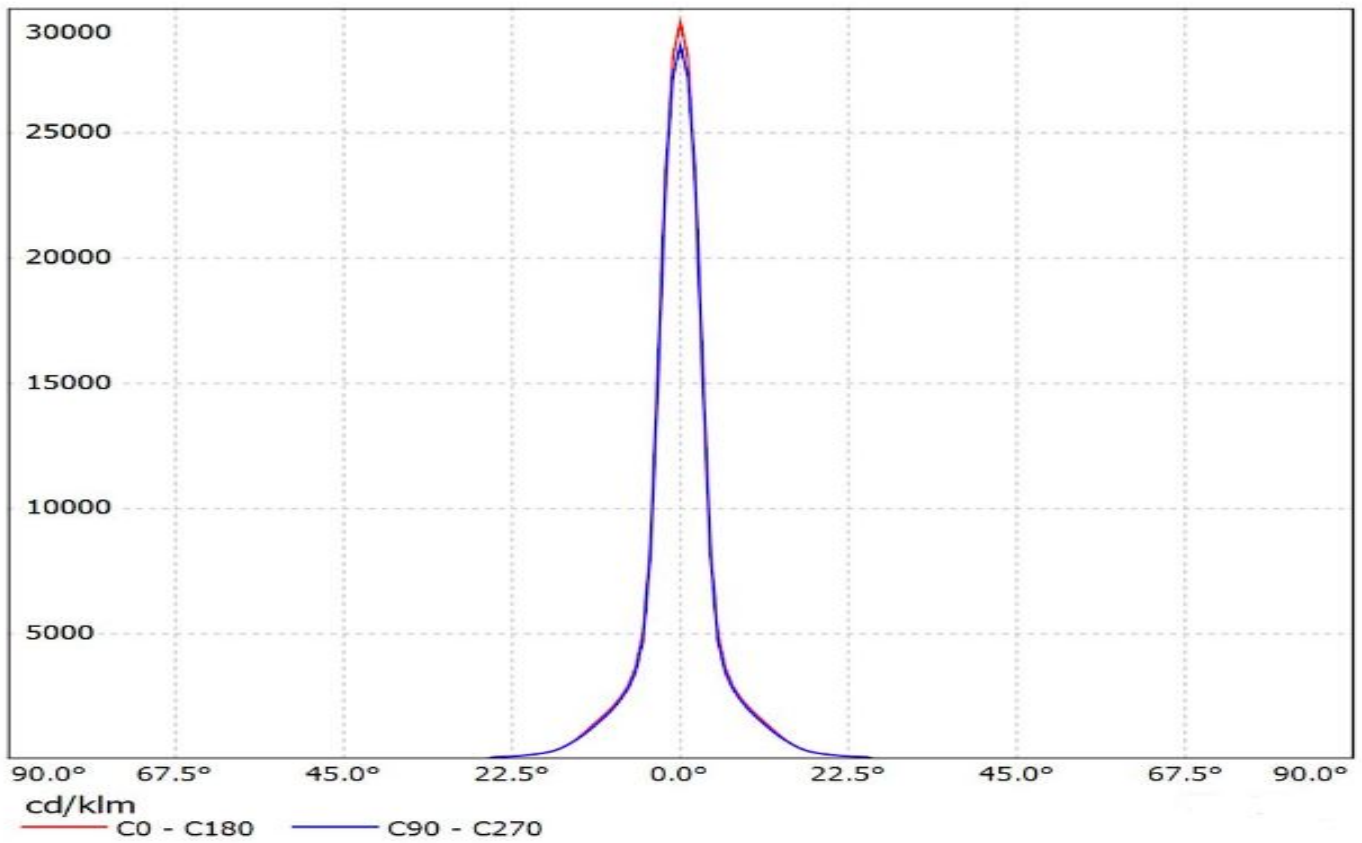


Luminaire: Ledil Oy CA11663_HEIDI-RS_(NCSxx19B) Efficiency=90%
Lamps: 1 x Nichia NCSxx19B (NCSL119BE) 88lm @ 250mA CCT=3000K P=0.8W I=250mA

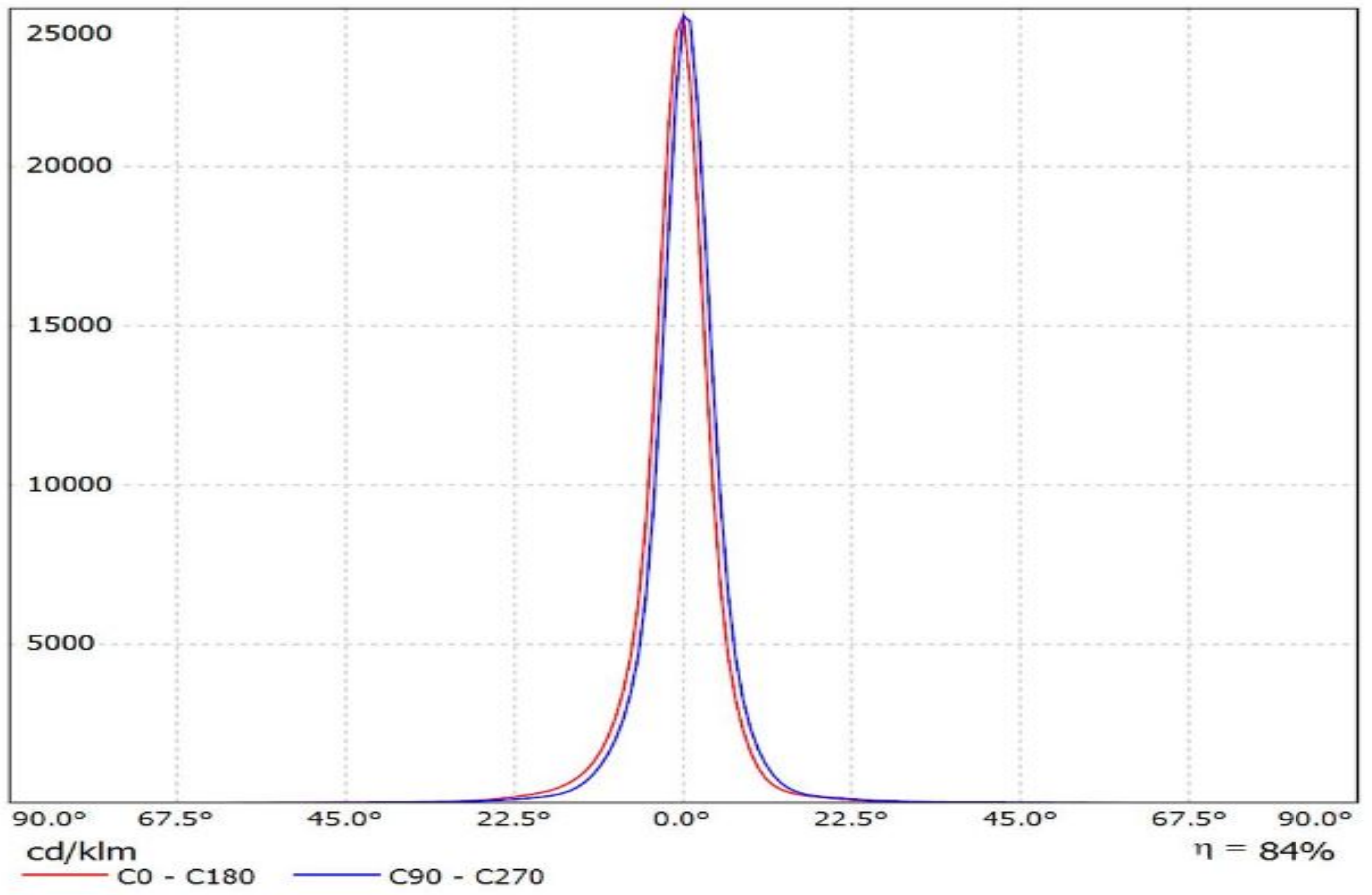


Ledil Oy CA11663_Heidi-RS-OS CA11663_Heidi-RS-OS / LDC (Linear)

Luminaire: Ledil Oy CA11663_Heidi-RS-OS CA11663_Heidi-RS-OS
Lamps: 1 x Osram Oslon 80 deg white

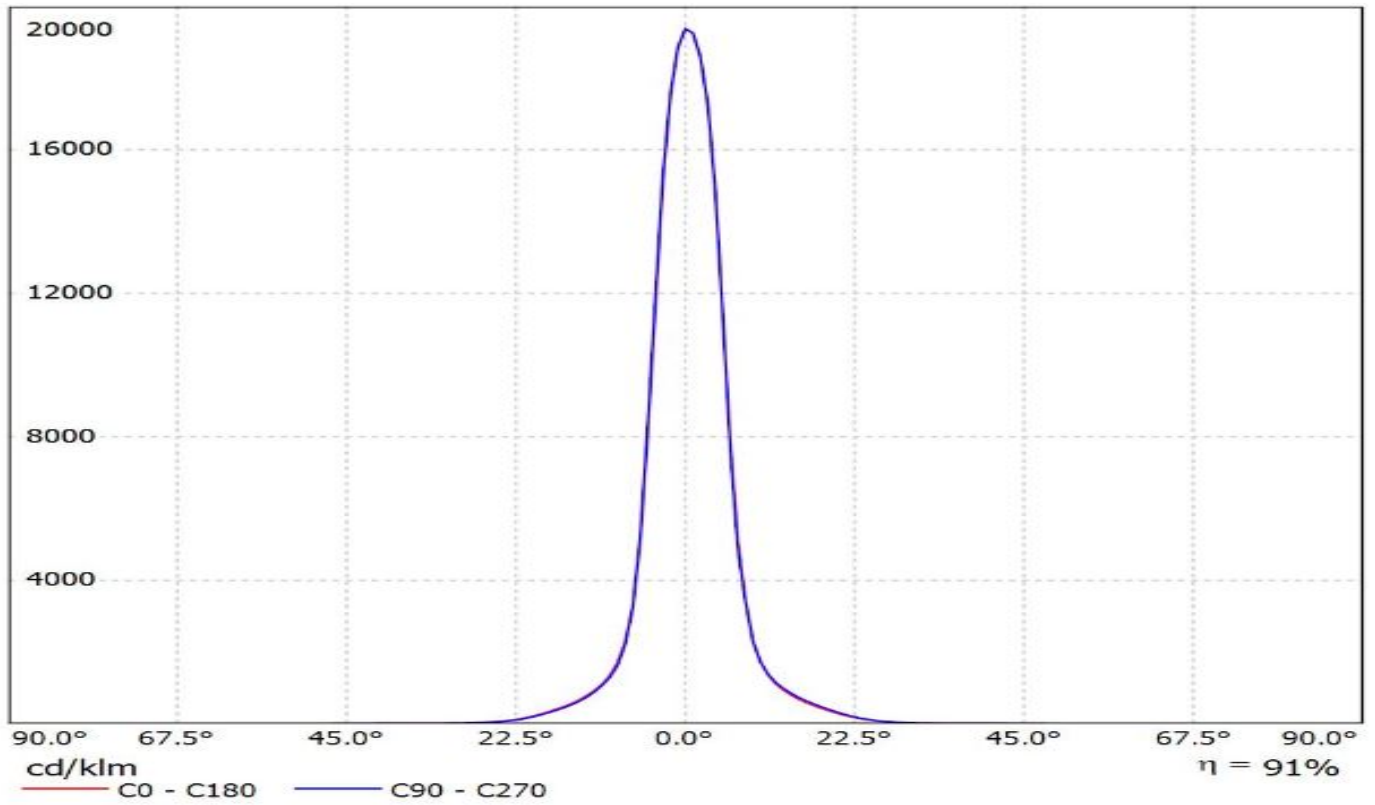


Luminaire: Ledil Oy <http://ledil.fi/node/2/p/3743> LOR=94%
Lamps: 1 x Osram OSL150 250mA 109lm

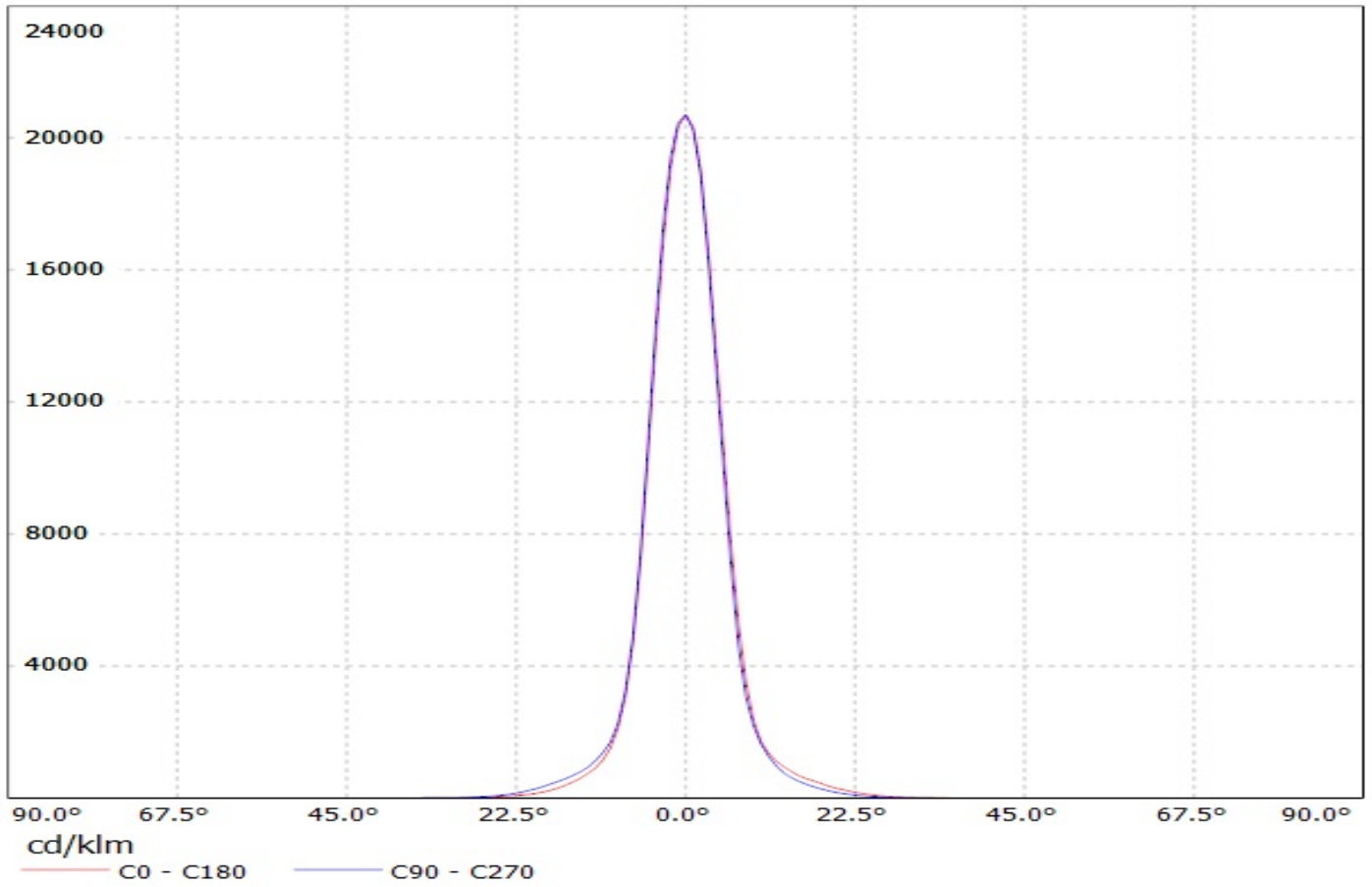


Ledil CA11663_HEIDI-RS_(Fortimo_FastFlex_LED_board 2x8/757_DS_G3) / LDC (Linear)

Luminaire: Ledil CA11663_HEIDI-RS_(Fortimo_FastFlex_LED_board 2x8/757_DS_G3)
Lamps: 1 x Philips_Fortimo_FastFlex_LED_board 2x8/757_DS_G3_(XP-G2)
_3428.78lm@500mA_P=23.7W_I=0.5A

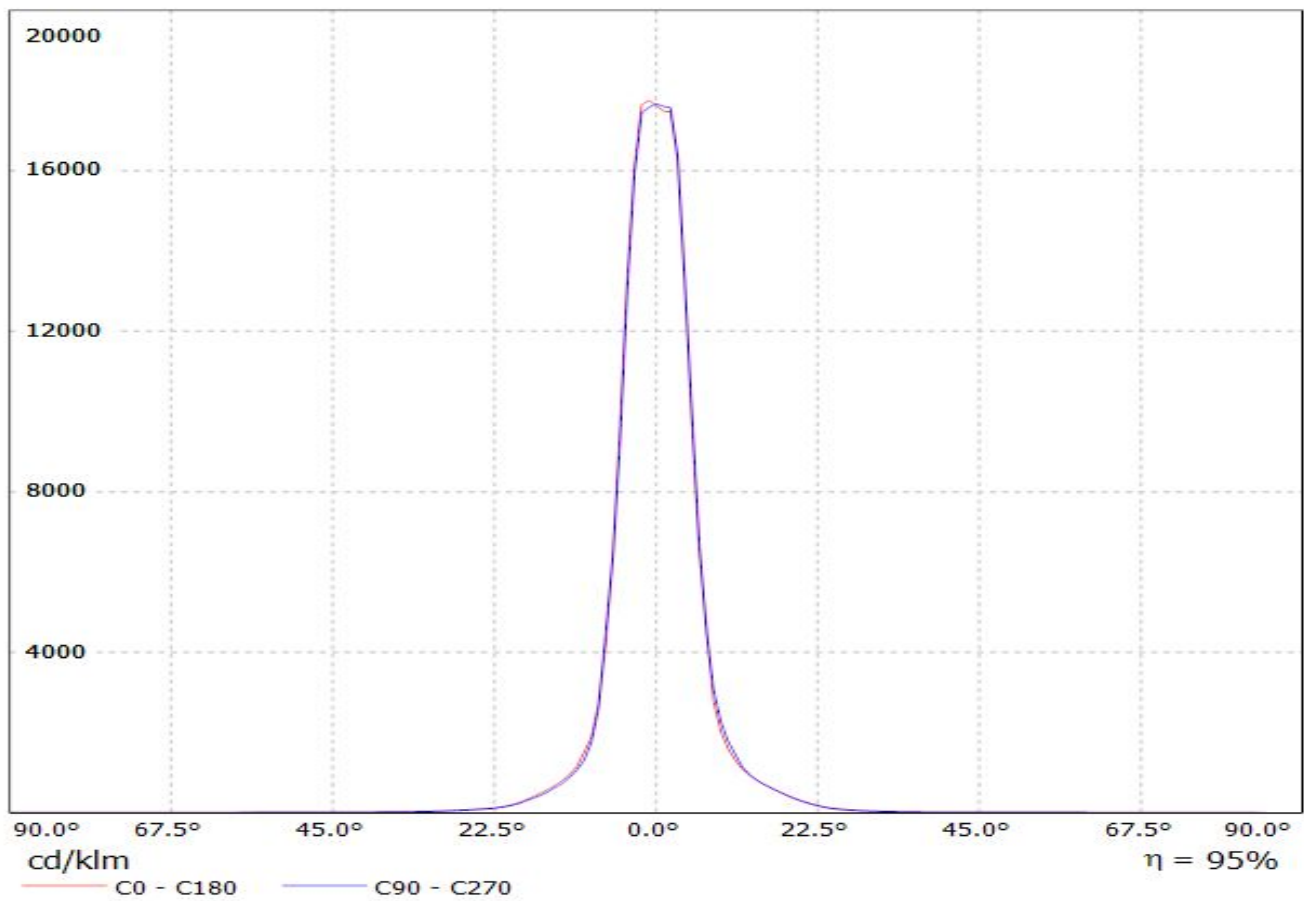


Luminaire: Ledil Oy CA11663_HEIDI-RS_(LH351Z) Efficiency=89%
Lamps: 1 x Samsung LH351Z (90.14lm @ 250mA) CCT=6500K P=0.7W I=250mA

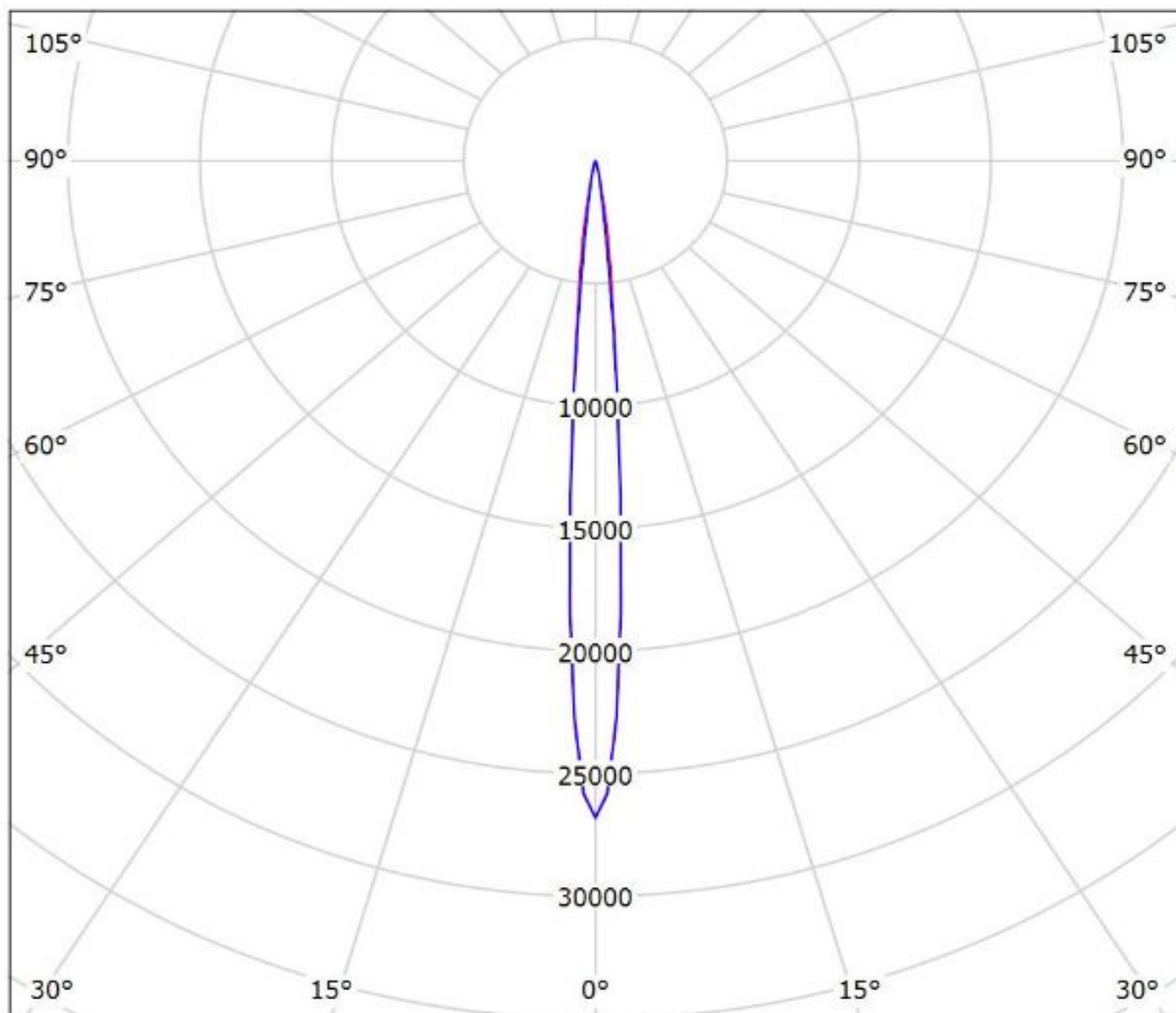


Luminaire: LEDiL Oy CA11663_HEIDI-RS_(Z5M1)

Lamps: 1 x Seoul_Z5M1_107.648lm@250mA_CCT=9074K_P=0.739754W_I=249.9mA



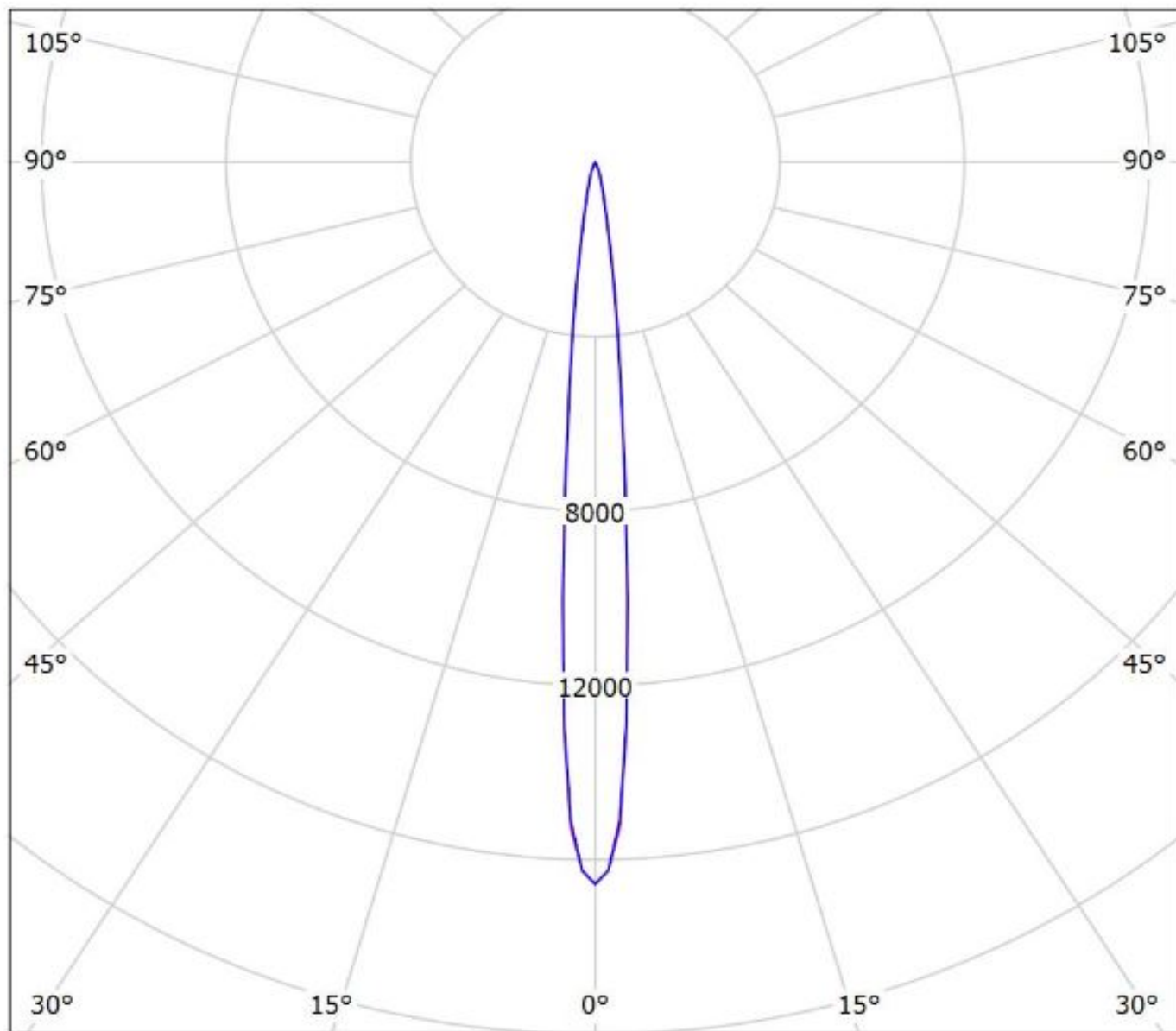
Luminaire: Ledil Oy CA11663_Heidi-RS-XP
Lamps: 1 x Cree XP-E 250mA 74lm



cd/klm

— C0 - C180 — C90 - C270

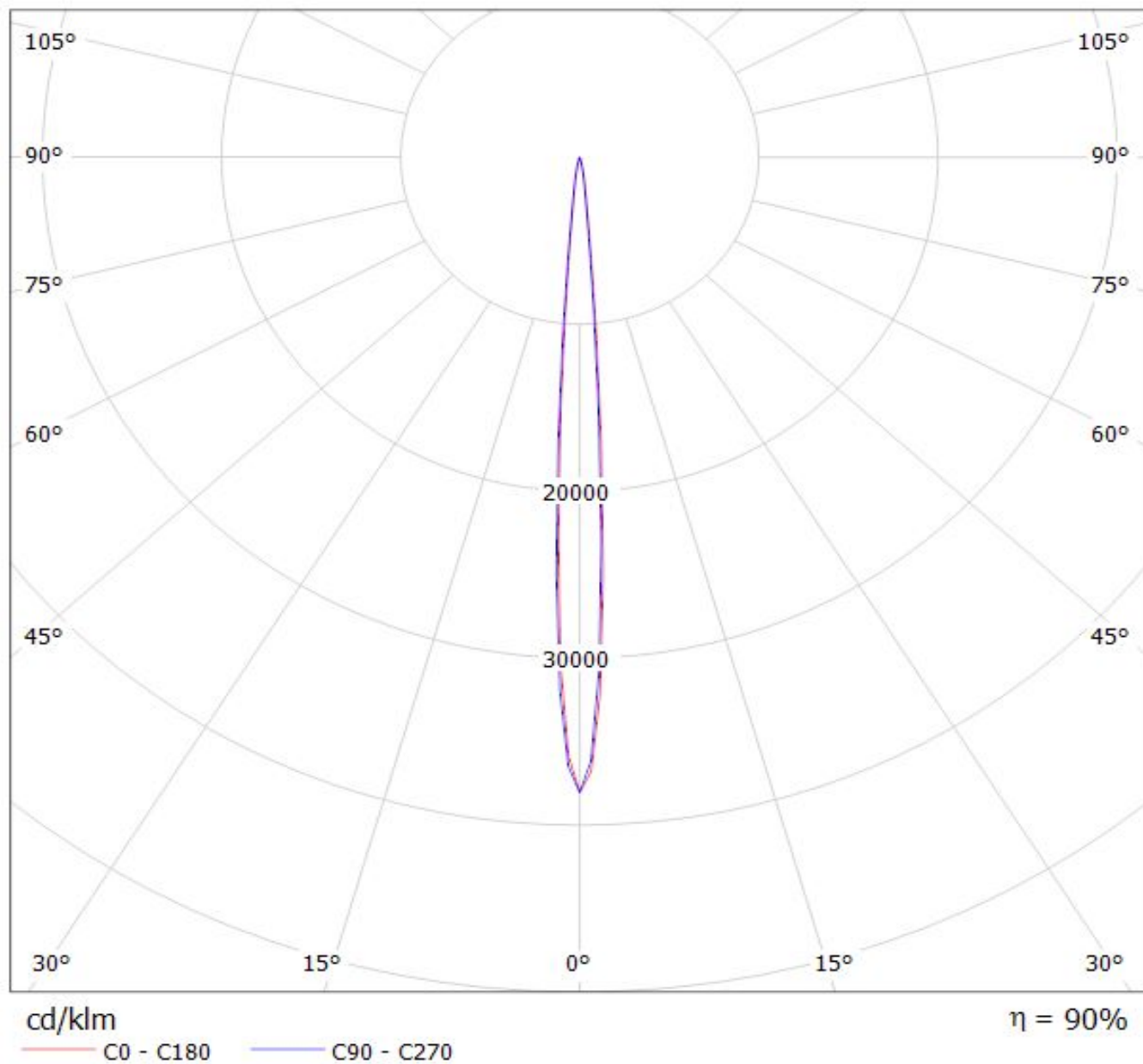
Luminaire: Ledil Oy CA11663_Heidi-RS-XP-G CA11663_Heidi-RS-XP-G
Lamps: 1 x Cree XP-G white



cd/klm

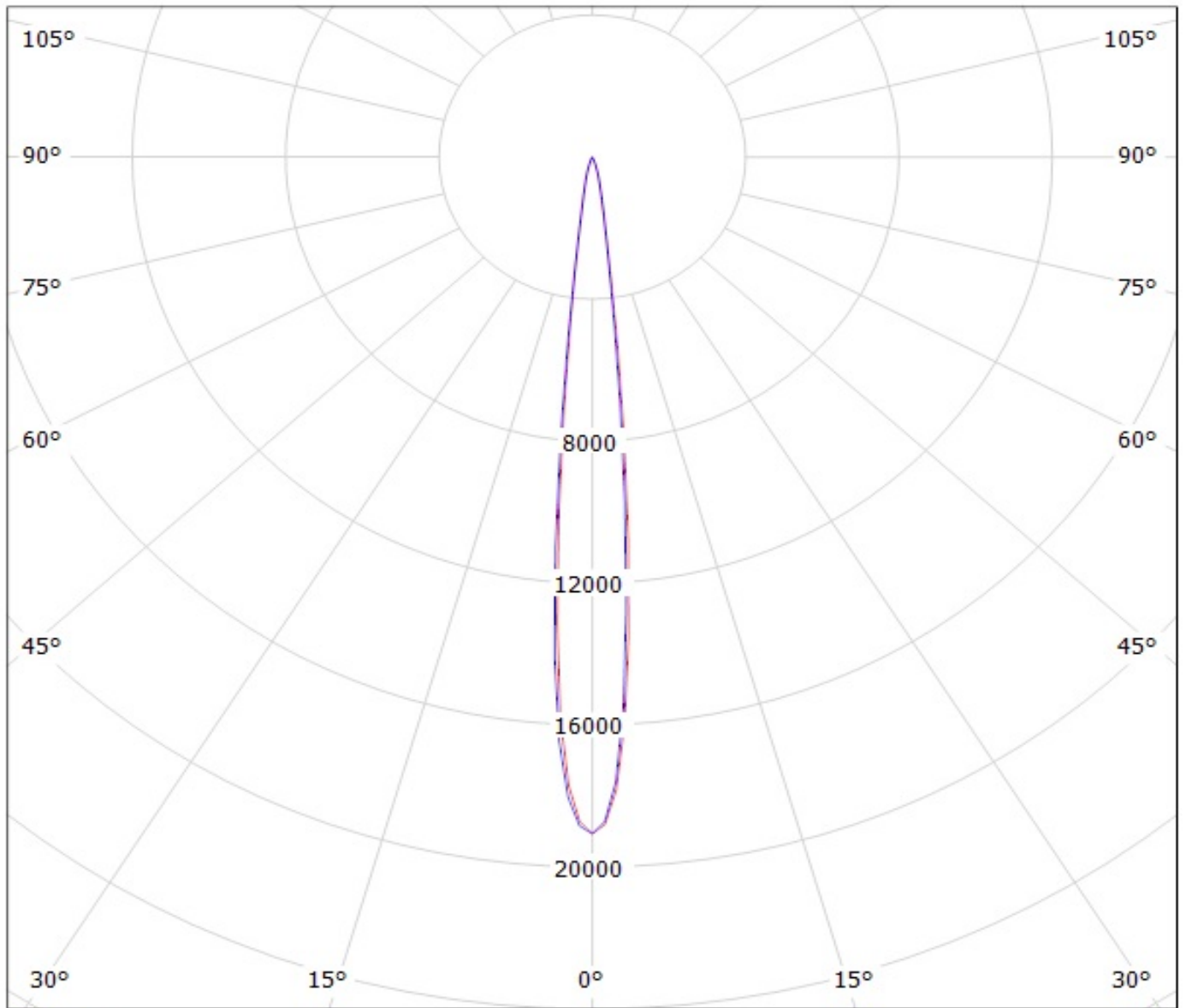
— C0 - C180 — C90 - C270

Luminaire: LEDiL Oy CA11663_HEIDI-RS_(XP-E2) Eff. 90%
Lamps: 1 x Cree XP-E2 92lm@250mA CCT:5500K P:0.8W



Luminaire: LEDil Oy CA11663_HEIDI-RS_(XP-G2) Efficiency=91%

Lamps: 1 x Cree XP-G2 (XPGBWT-L1-0000-00FE4) 100.7lm @ 250mA CCT=4900K P=0.7W I=250mA



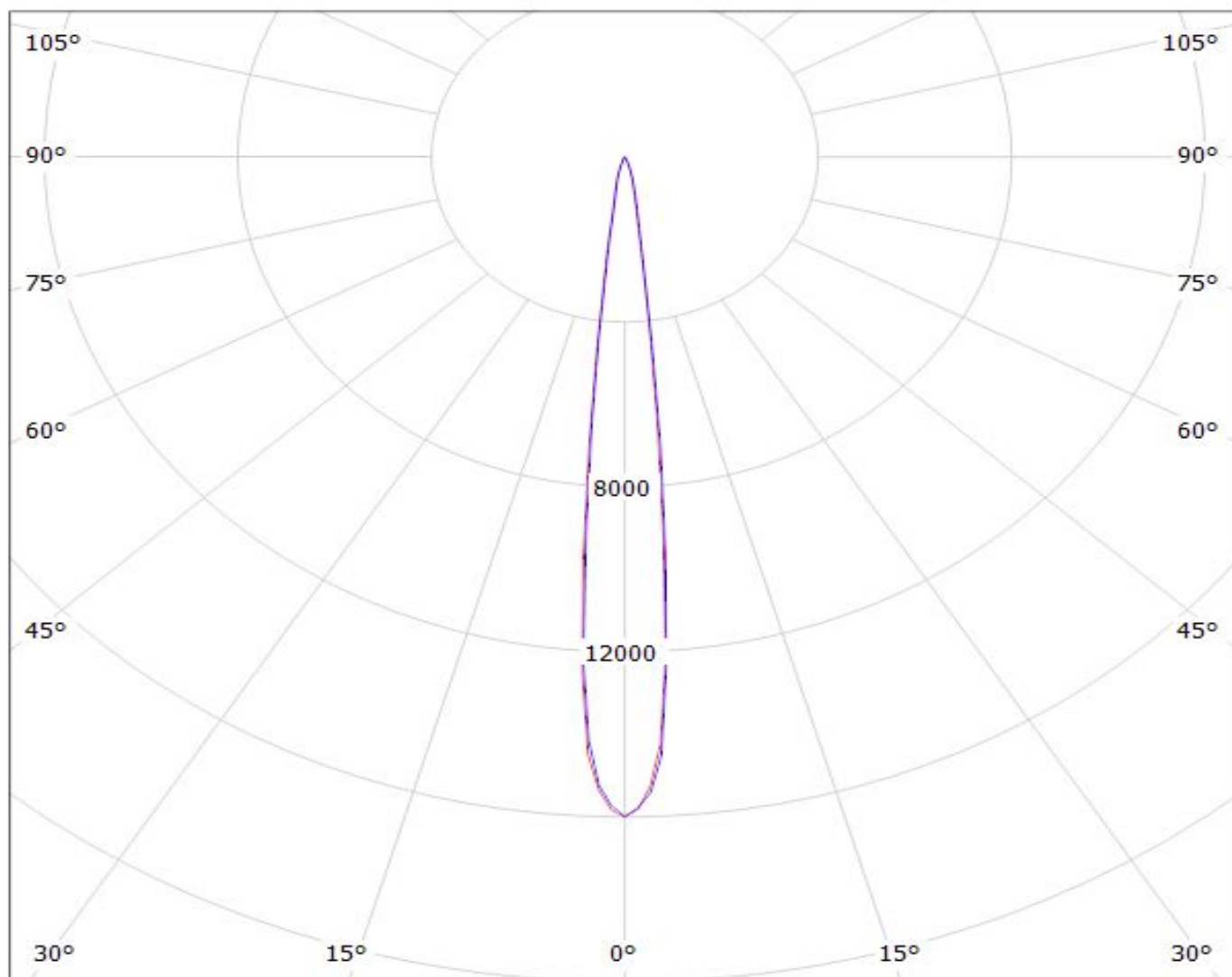
cd/klm

— C0 - C180

— C90 - C270

LEDiL Oy CA11663_HEIDI-RS_(LUXEON_T)_1 Eff.91.7% / LDC (Polar)

Luminaire: LEDiL Oy CA11663_HEIDI-RS_(LUXEON_T)_1 Eff.91.7%
Lamps: 1 x LUXEON T (74lm@250mA)



cd/klm

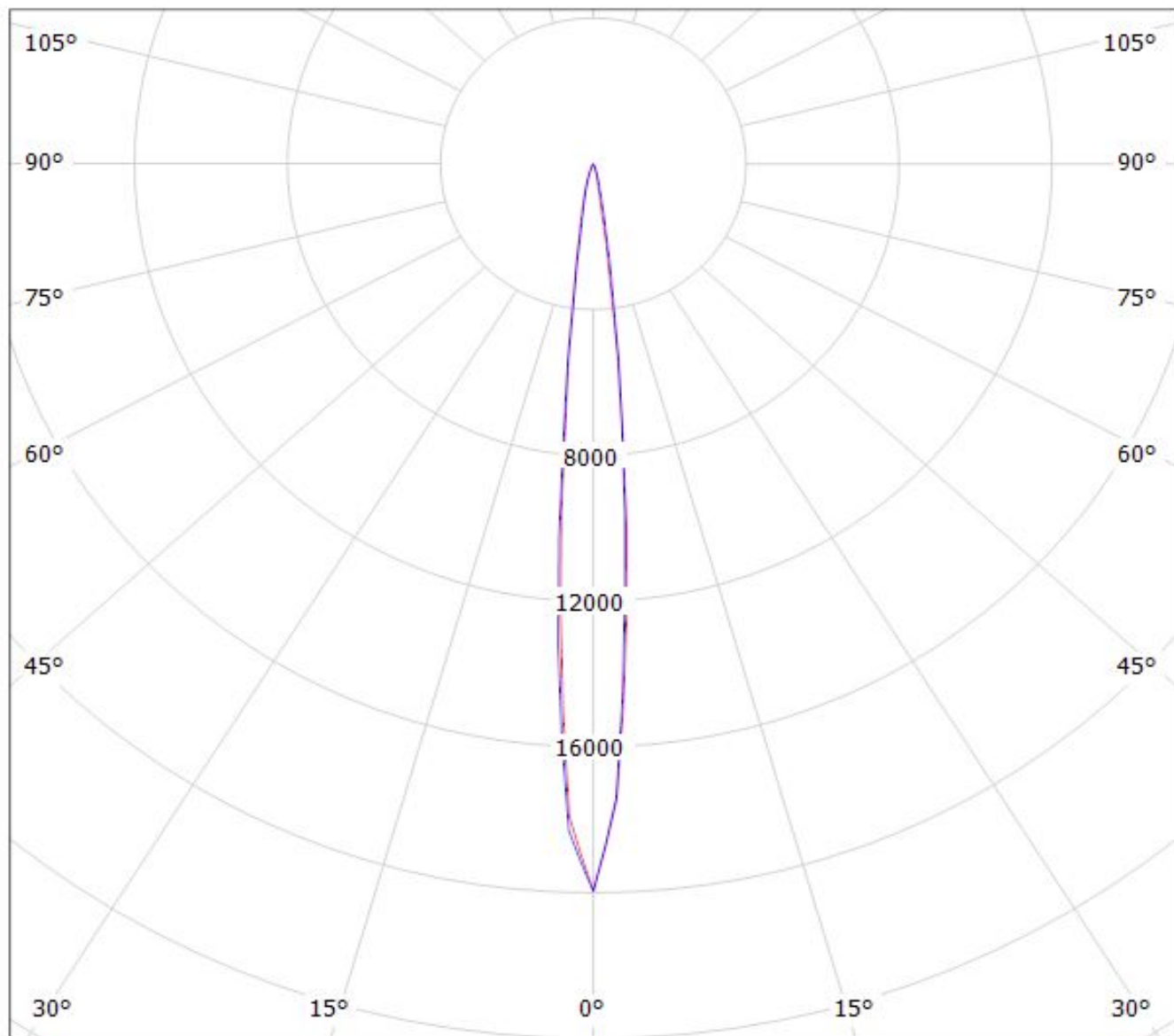
— C0 - C180

— C90 - C270

$\eta = 91\%$

Luminaire: Ledil Oy CA11663_HEIDI-RS_(Luxeon_TX)

Lamps: 1 x Luxeon TX (L1T2-3585) 108lm @ 250mA CCT=3521K P=0.73W I=250mA



cd/klm

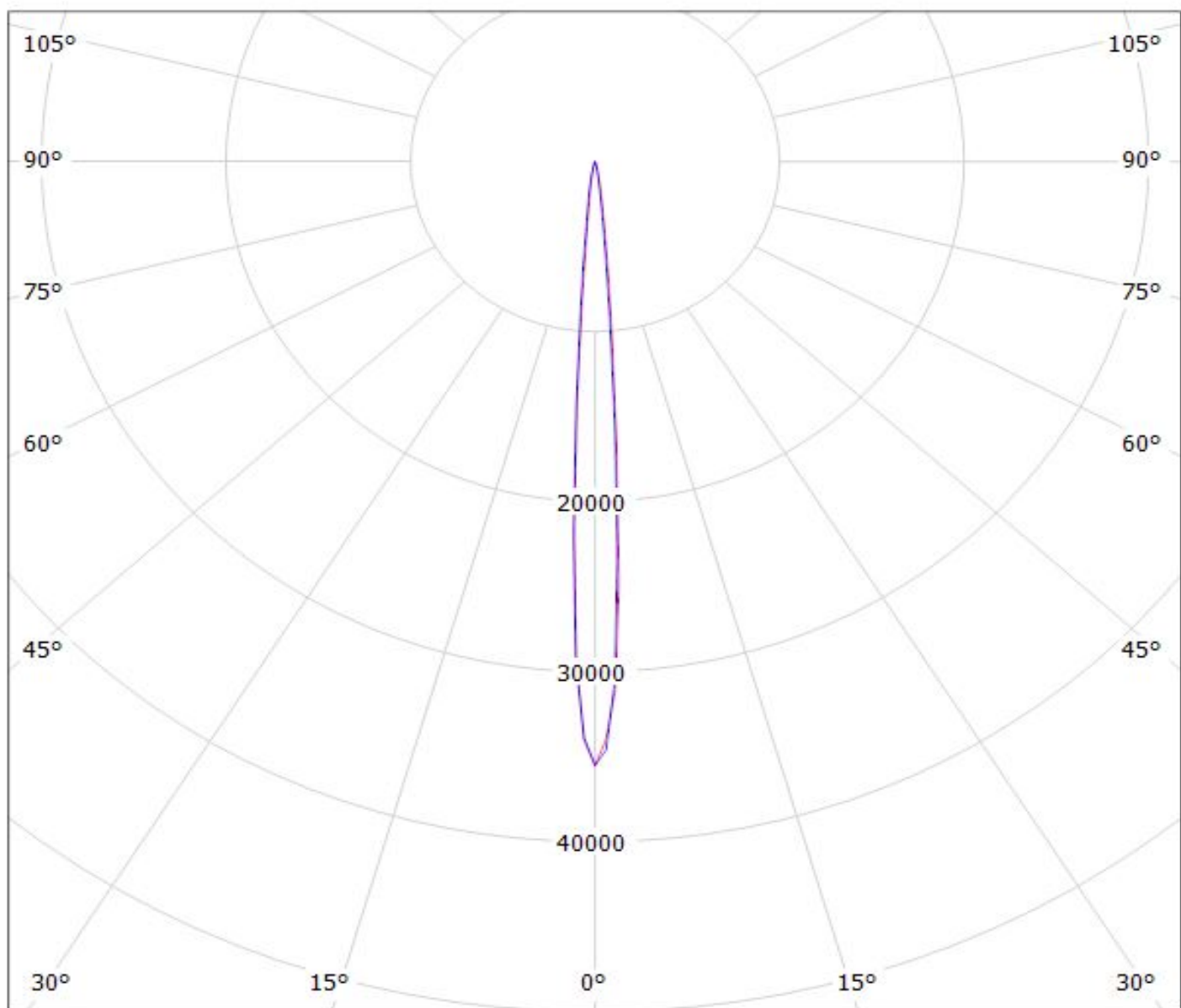
— C0 - C180

— C90 - C270

$\eta = 90\%$

Luminaire: LEDiL Oy CA11663_HEIDI-RS_(Luxeon_C_WHITE)

Lamps: 1 x Luxeon_C_WHITE_84.6969lm@250mA_P=0.7410W_I=0.250A



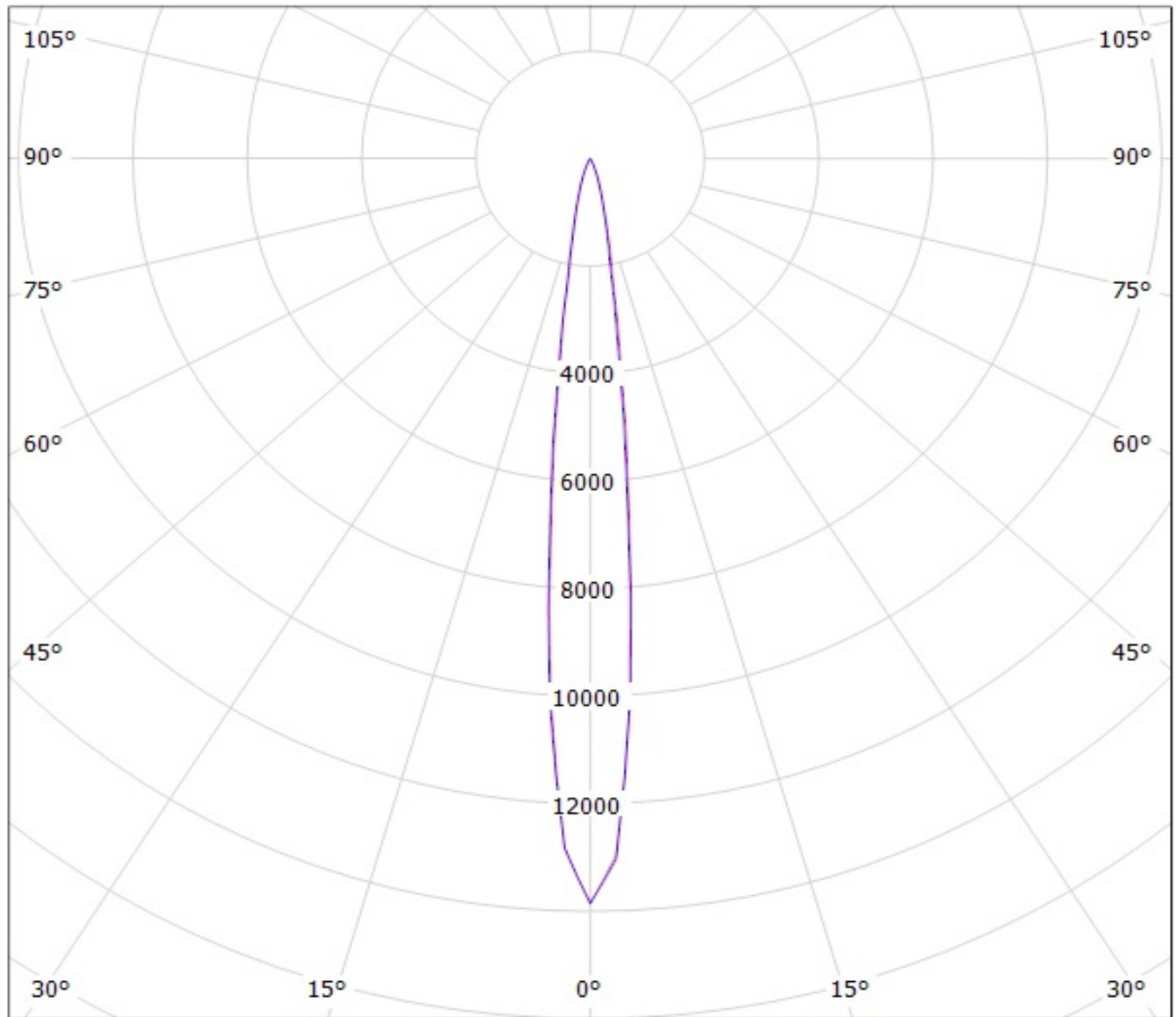
cd/klm

— C0 - C180

— C90 - C270

$\eta = 92\%$

Luminaire: Ledil Oy CA11663_HEIDI-RS (Nichia 219B 109lm @ 250mA) Efficiency=92%
Lamps: 1 x Nichia 219B 109lm @ 250mA



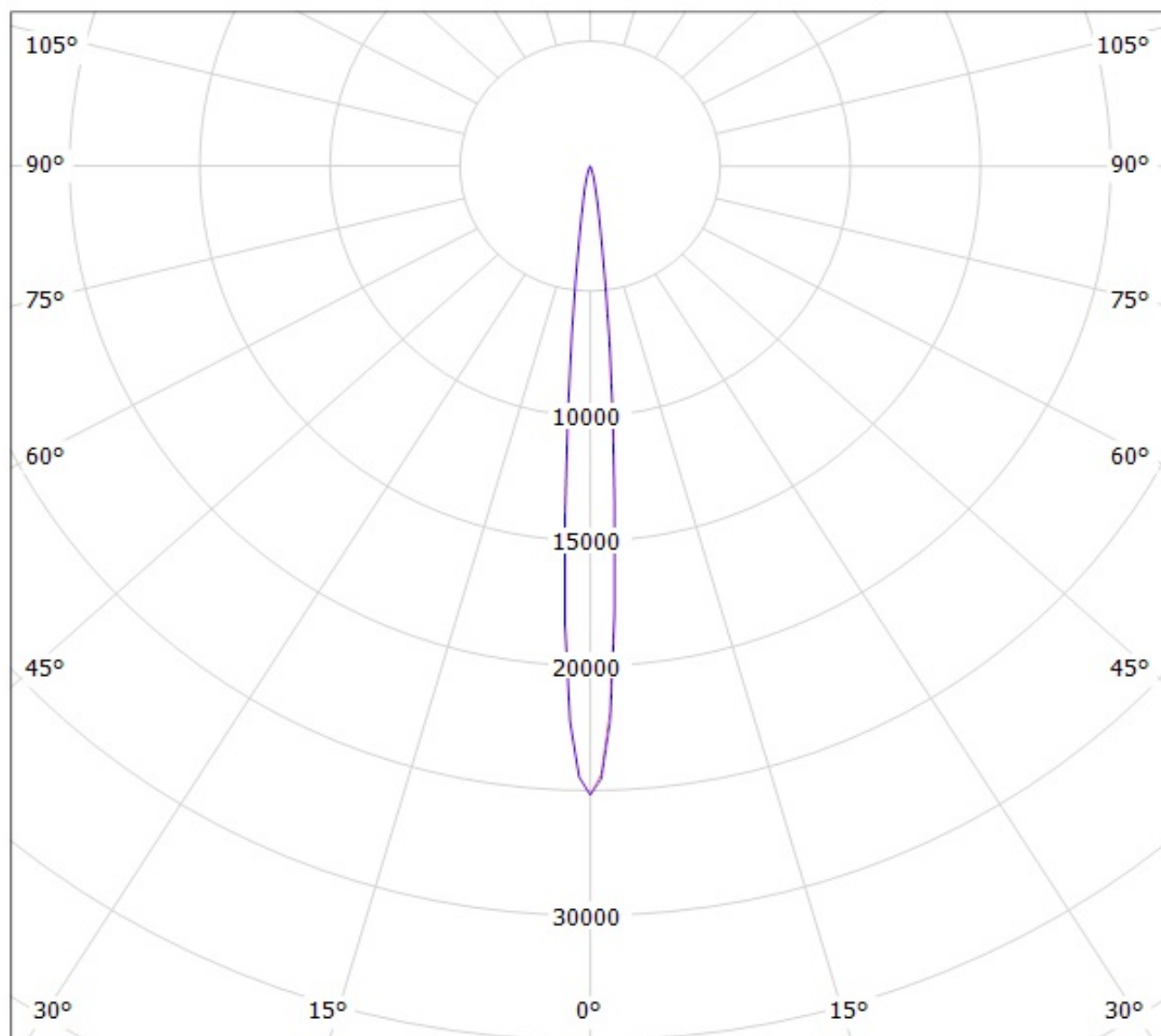
cd/klm

— C0 - C180

— C90 - C270

Luminaire: Ledil Oy CA11663_HEIDI-RS_(NCSxx19B) Efficiency=90%

Lamps: 1 x Nichia NCSxx19B (NCSL119BE) 88lm @ 250mA CCT=3000K P=0.8W I=250mA



cd/klm

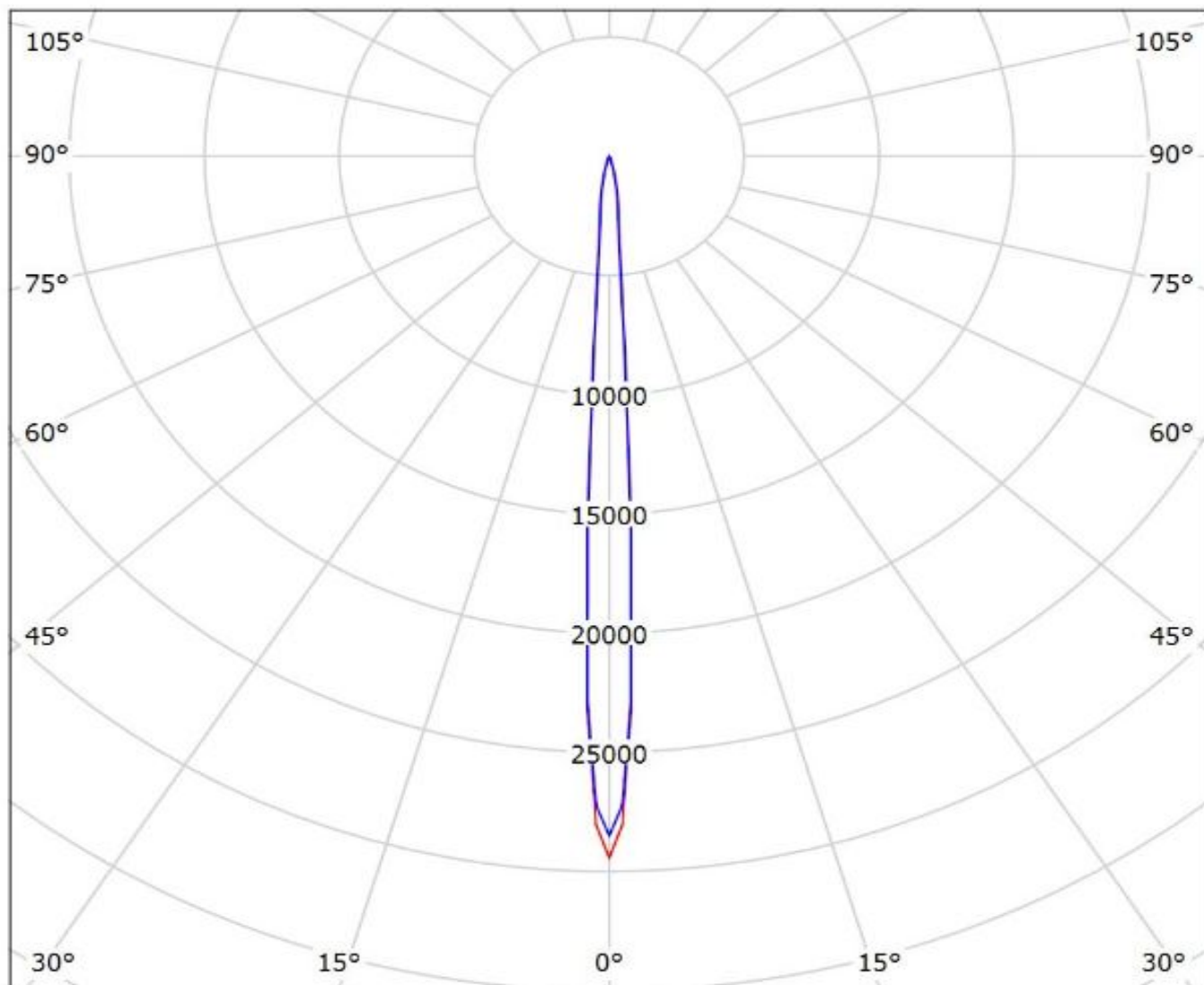
— C0 - C180

— C90 - C270

Ledil Oy CA11663_Heidi-RS-OS CA11663_Heidi-RS-OS / LDC (Polar)

Luminaire: Ledil Oy CA11663_Heidi-RS-OS CA11663_Heidi-RS-OS

Lamps: 1 x Osram Oslon 80 deg white

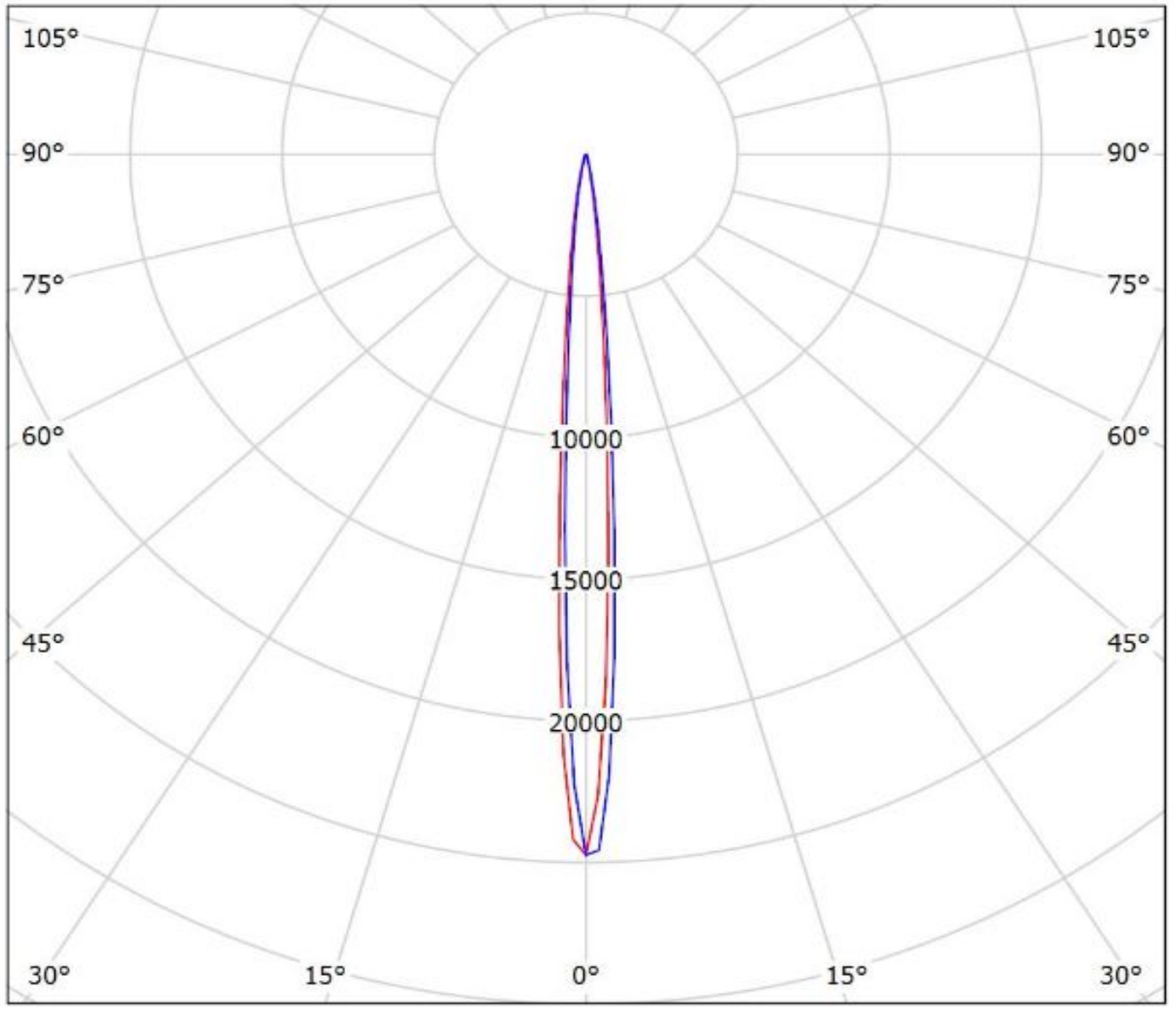


cd/klm

— C0 - C180

— C90 - C270

Luminaire: Ledil Oy <http://ledil.fi/node/2/p/3743> LOR=94%
Lamps: 1 x Osram OSL150 250mA 109lm



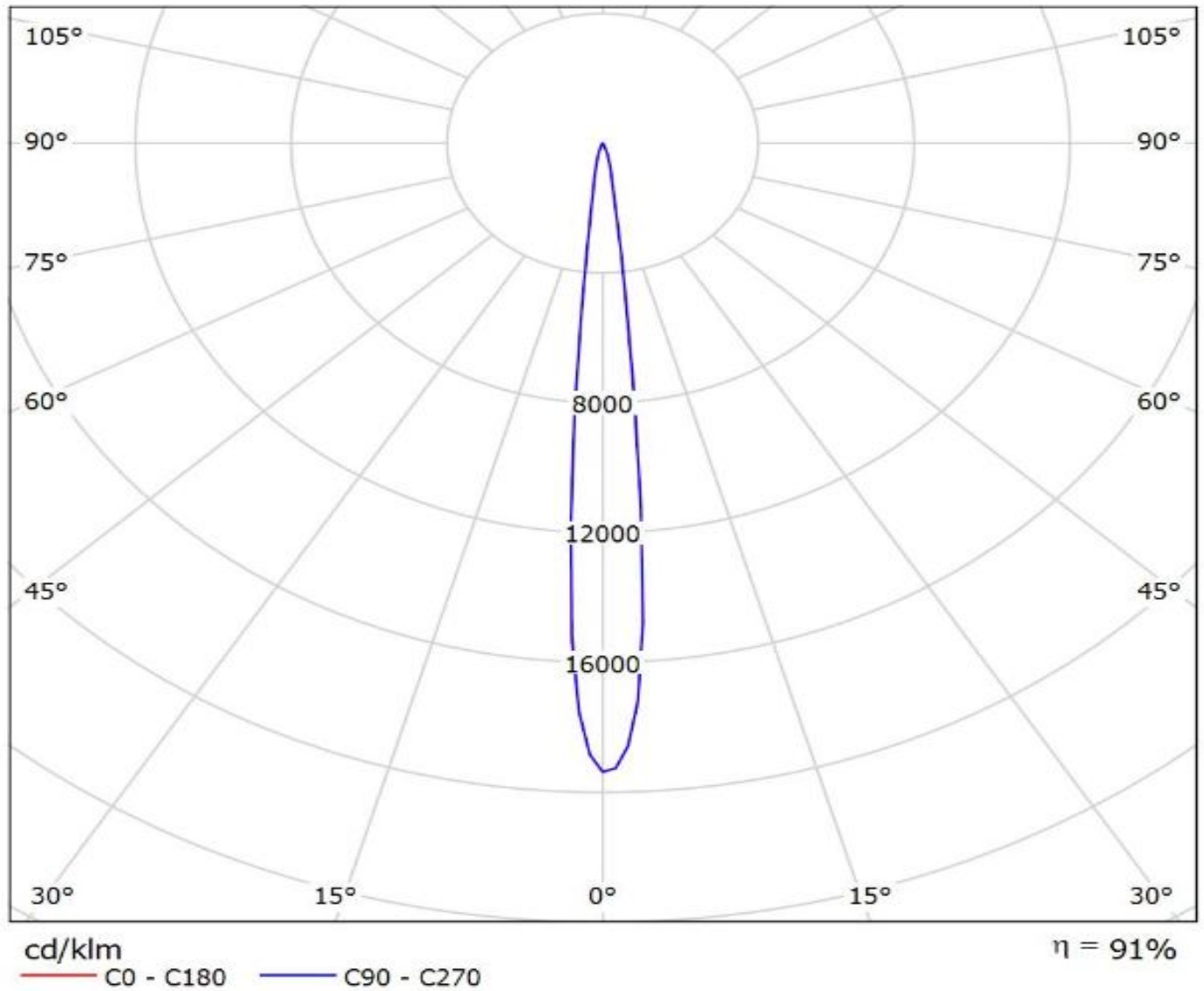
cd/klm

— C0 - C180

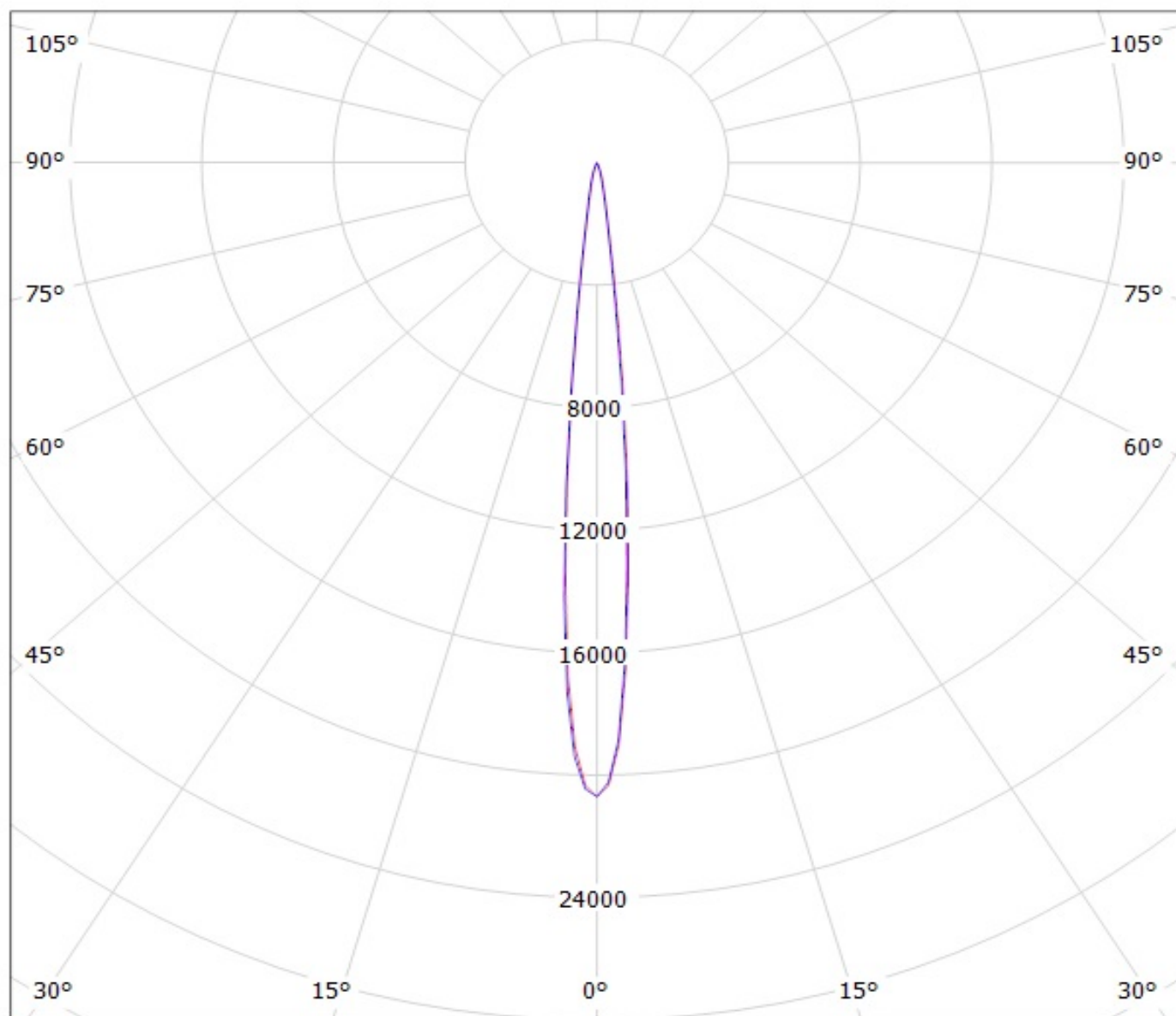
— C90 - C270

Ledil CA11663_HEIDI-RS_(Fortimo_FastFlex_LED_board 2x8/757_DS_G3) / LDC (Polar)

Luminaire: Ledil CA11663_HEIDI-RS_(Fortimo_FastFlex_LED_board 2x8/757_DS_G3)
Lamps: 1 x Philips_Fortimo_FastFlex_LED_board 2x8/757_DS_G3_(XP-G2)
_3428.78lm@500mA_P=23.7W_I=0.5A



Luminaire: Ledil Oy CA11663_HEIDI-RS_(LH351Z) Efficiency=89%
Lamps: 1 x Samsung LH351Z (90.14lm @ 250mA) CCT=6500K P=0.7W I=250mA



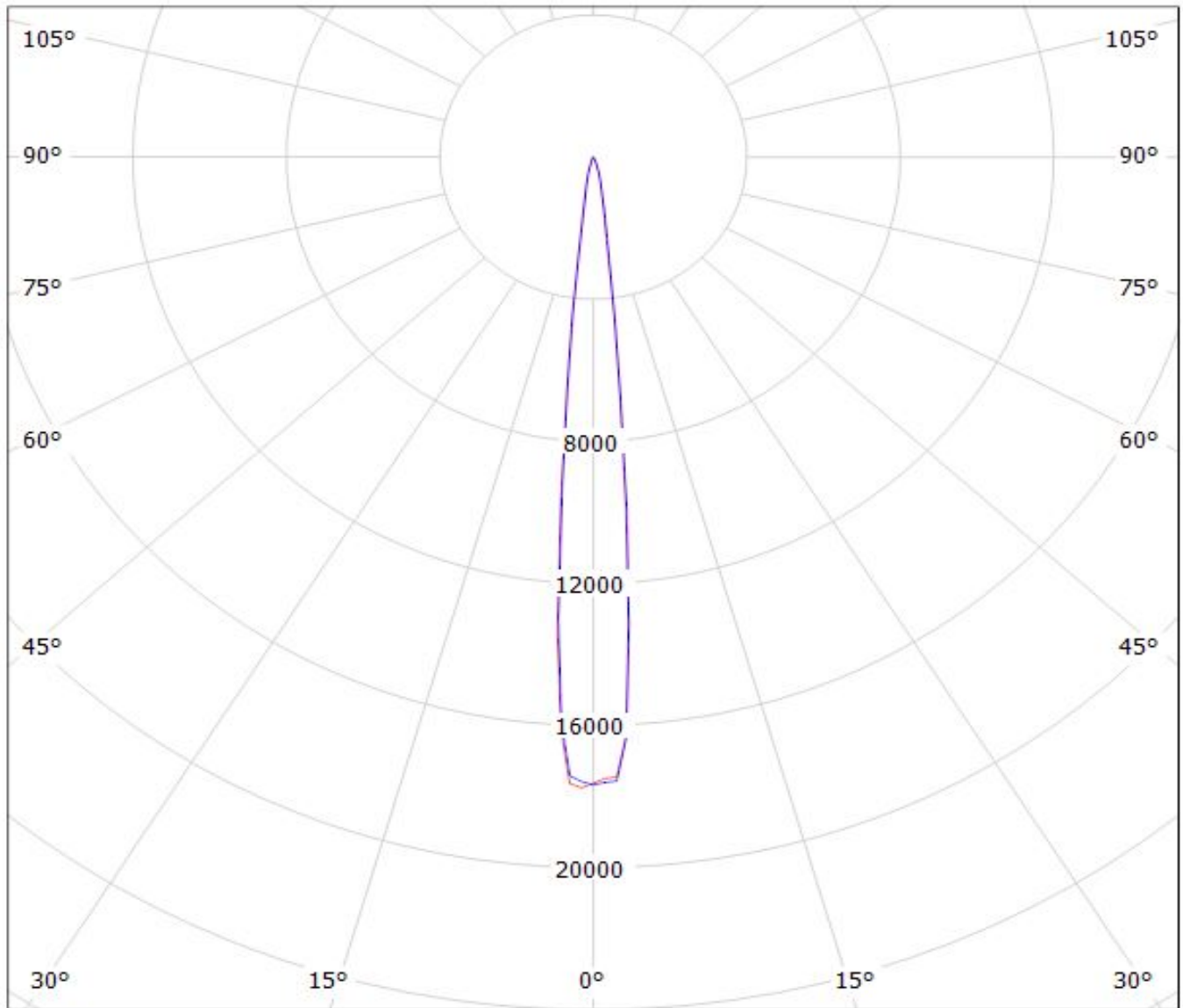
cd/klm

— C0 - C180

— C90 - C270

Luminaire: LEDiL Oy CA11663_HEIDI-RS_(Z5M1)

Lamps: 1 x Seoul_Z5M1_107.648lm@250mA_CCT=9074K_P=0.739754W_I=249.9mA



cd/klm

η = 95%

— C0 - C180

— C90 - C270

NOTE: The typical divergence will be changed by different color, chip size and chip position tolerance. The typical total divergence is the full angle measured where the luminous intensity is half of the peak value.