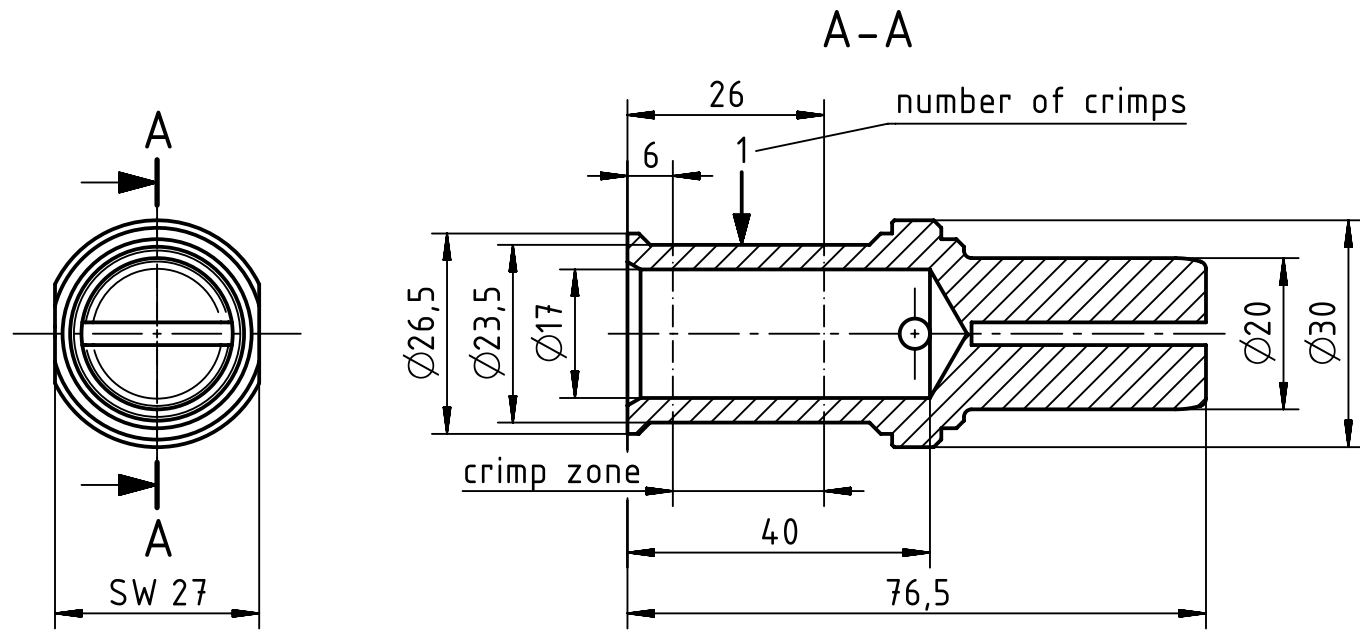


A

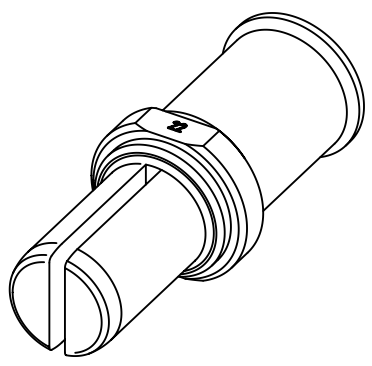
B


C

D



assembly notes see catalogue
 crimp zone acc. to DIN EN 46235
 indicator 22
 for stranded fine wire acc. to VDE 0295 class 5/ IEC 60228 class 5
 wire gauge: 150mm²
 stripping length: 42mm



	All rights reserved Department EL PD - DE	All Dimensions in mm Original Size DIN A4		Scale 1:1	Free size tol.		Ref. Sub. TB 09 11 000 6164 v. 19.07.11		
		Created by HOLLERT	Inspected by BEISCHER	Standardisation TIEMANNA	Date 2013-07-26	State Final Release		Doc-Key / ECM-Nr. 100210234/UGD/004/A 500000063527	
HARTING Electric GmbH & Co. KG D-32339 Espelkamp		Title Han TC650 male contact 150mm ²					Rev. A		Page 1/1
		Type TB	Number 09 11 000 6164						