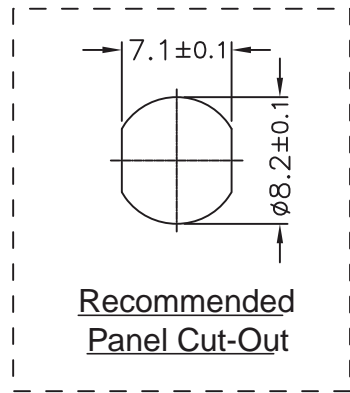


**Material:**

- Waterproof Rate: IP67
- LED Holder: Brass, Nickel plating
- LED: ø3mm, White
- Gasket: EPDM, Black
- Screw Nut: Brass, Nickel plating
- Operating voltage: 4V DC
- Operating Temperature: -40°C~+80°C
- For Panel Thickness 6.5mm Max.



QC Quality Control: Important Dimension to check

Unit: mm



Scale	Free						Date	Name	Title Waterproof LED White color, metal, Ø3.0mm
TOLERANCE							Drawn	06.03.14	
X.	±0.3						Approved	06.03.14	Groll
X.X	±X								
X.XX	±X								
DIM	TOL								
X.°	±X°								
X.X°	±X°								
Angle	TOL	Id.	Modification	Date	Name	 1840 W. Drake Drive, Suite 101 • Tempe, AZ 85283 Toll Free: 1-877-277-6266 • Email: info@assmann.us			ASSMANN WSW-No. A-LED8-1WAAS-MR7-1
									Replace



Title Waterproof LED White color, metal, Ø3.0mm	
ASSMANN WSW-No. A-LED8-1WAAS-MR7-1	
Drawing-No. ASS 6234 CO	rev00
Replace	Sheet 1/1