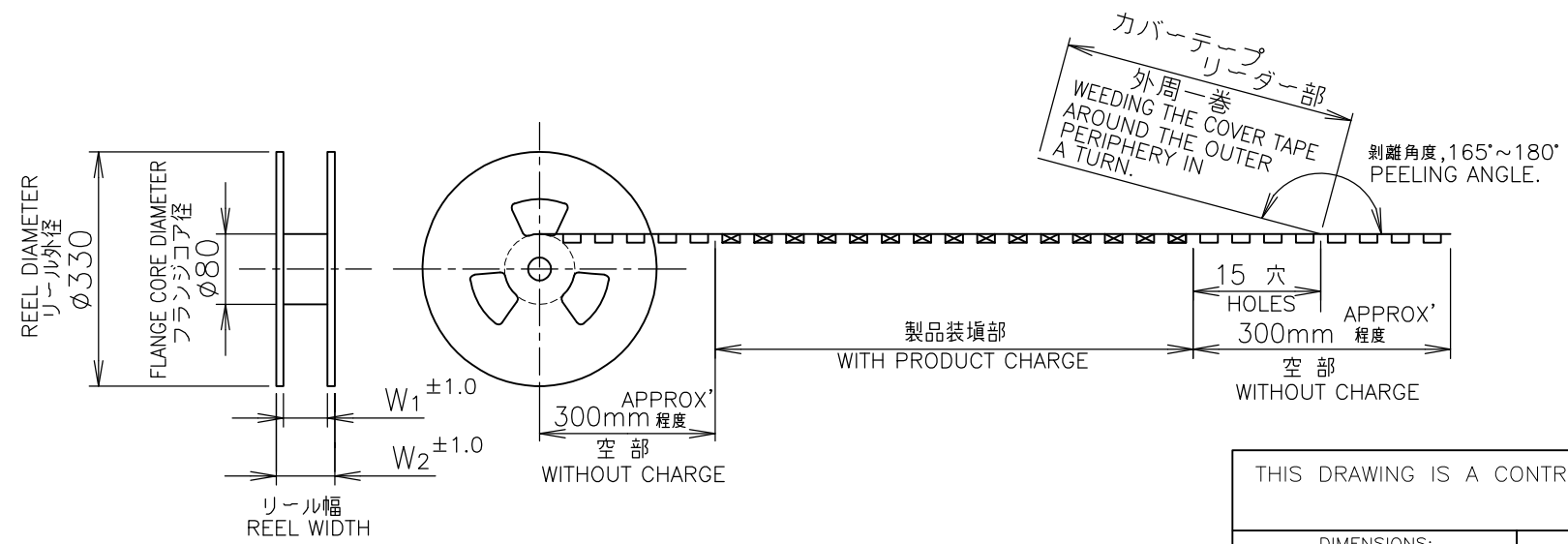
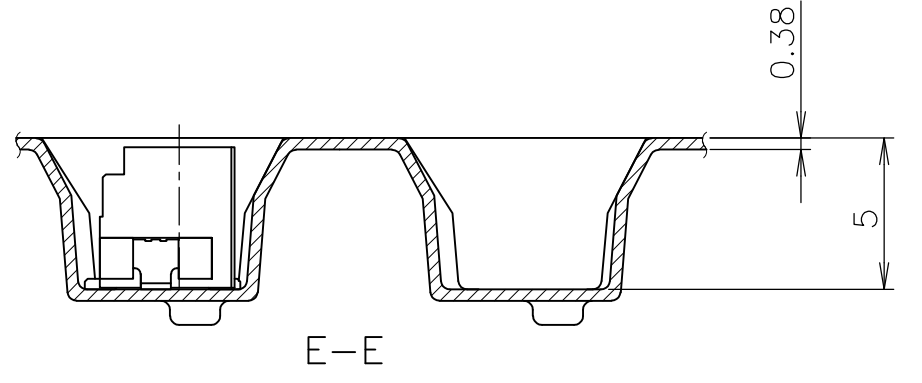
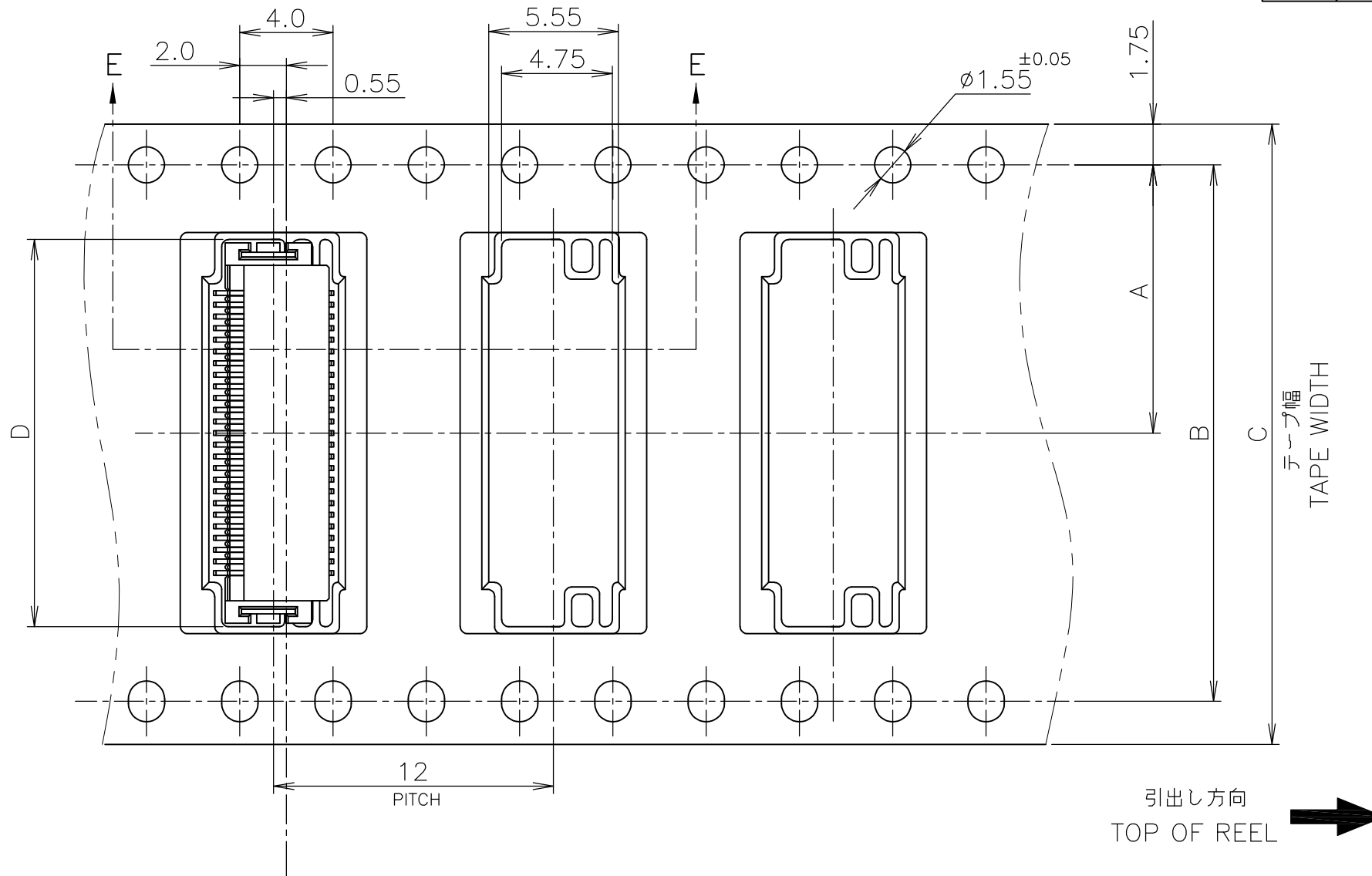


THIS DRAWING IS UNPUBLISHED. RELEASED FOR PUBLICATION APR, 1997.
 © COPYRIGHT 2004 By - ALL RIGHTS RESERVED.

LOC		DIST		REVISIONS		
ES				変更		
P	LTR	DESCRIPTION		DATE	DWN	APVD
	C	REVISED ECR-14-013112		30JAN2015	I.T	W.H



鉛フリー
LEAD FREE

THIS DRAWING IS A CONTROLLED DOCUMENT.

DIMENSIONS: 単位: 耗 MM	TOLERANCES UNLESS OTHERWISE SPECIFIED: 一般公差
	0 PLC ± 0.3
	1 PLC ± 0.3
	2 PLC ± 0.3
	3 PLC ± 0.3
	4 PLC ± 0.3
	ANGLES ± 3'

MATERIAL 材料 FINISH 仕上

INSTRUCTION SHEET 取扱説明書 411-5808	WIRE RANGE 抱合電線断面積 -	INSULATION DIA 被覆外径 -
DWN BILL LV 21JAN2011	TE Connectivity	
CHK MARTIN LI 21JAN2011		
APVD STEVEN YAO 21JAN2011	NAME 名称	
PRODUCT SPEC 製品規格 108-5496	ON TAPING (EMBOSS) 0.5mm PITCH FINE MATE CONN. TAB ASSEMBLY (H-TYPE)	
APPLICATION SPEC 取付適用規格	SIZE A3	CAGE CODE 00779
WEIGHT	DRAWING NO 番号 C-1747025	RESTRICTED TO
CUSTOMER DRAWING	SCALE 尺度 4:1	SHEET 1 OF 2
		REV C

THIS DRAWING IS UNPUBLISHED. RELEASED FOR PUBLICATION APR , 1997.
 © COPYRIGHT 2004 By - ALL RIGHTS RESERVED.

LOC ES	DIST	REVISIONS 変更			
P	LTR	DESCRIPTION	DATE	DWN	APVD
	-	SEE SHEET 1	-	-	-

鉛フリー
LEAD FREE

OBSOLETE	WITH BOSS	36.7	33.5	0.4	22.2	32	28.4	14.2	1000	70	5-1747023-4	5-1747022-4
		49.5	45.5	0.38	24.7	40	40.4	20.2	1000	80	5-1747023-3	5-1747022-3
© OBSOLETE	WITHOUT BOSS	20.2	17.5	0.38	9.1	16	//	7.5	1000	20	1747026-9	1747025-9
		29.5	25.5	0.38	16.6	24	//	11.5	1000	50	1747026-6	1747025-6
		37.5	33.5	0.38	19.1	32	28.4	14.2	1000	60	1747026-5	1747025-5
OBSOLETE		37.5	33.5	0.38	21.6	32	28.4	14.2	1000	70	1747026-4	1747025-4
		49.5	45.5	0.4	24.1	44	40.4	20.2	1000	80	1747023-3	1747025-3
		49.5	45.5	0.38	29.1	40	40.4	20.2	1000	100	1747026-1	1747025-1
BOSS		W2	W1	E	D	C	B	A	QTY/REEL	POS	CONNECTOR P/N	TAPING P/N
DIMENSIONS												

INSTRUCTION SHEET 411-5808 WIRE RANGE 抱合電線断面積 INSULATION DIA 被覆外径

THIS DRAWING IS A CONTROLLED DOCUMENT.

DIMENSIONS: 単位: 耗 MM	TOLERANCES UNLESS OTHERWISE SPECIFIED: 一般公差
	0 PLC ± 0.3 1 PLC ± 0.3 2 PLC ± 0.3 3 PLC ± 0.3 4 PLC ± 0.3 ANGLES ± 3'
MATERIAL 材料	FINISH 仕上

DWN
CHK
APVD
PRODUCT SPEC 製品規格 108-5496
APPLICATION SPEC 取付適用規格
WEIGHT
CUSTOMER DRAWING

STE TE Connectivity

ON TAPING (EMBOSS)
0.5mm PITCH FINE MATE CONN.
TAB ASSEMBLY (H-TYPE)

SIZE	CAGE CODE	DRAWING NO 番号	RESTRICTED TO
A3	00779	C-1747025	

SCALE 尺度 4:1 SHEET 2 OF 2 REV C