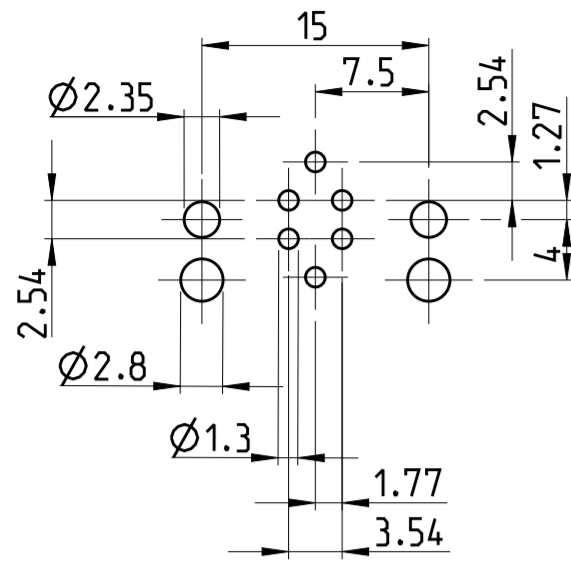


THIS DRAWING IS UNPUBLISHED. VERTRÄULICHE UNVERÖFFENTLICHTE ZEICHNUNG. RELEASED FOR PUBLICATION FREI FÜR VERÖFFENTLICHUNG. 2014. MATED WITH: PASSEND ZU: (C) COPYRIGHT 2014 Tyco Electronics AMP GmbH. ALL RIGHTS RESERVED. ALLE RECHTE VORBEHALTEN.

PROJEKT NR.: PRJ-11-000004377

REVISIONS		DATE	DWN	APVD
ÄNDERUNGEN				
DESCRIPTION				
BESCHREIBUNG				
P	LTR			
	A	04DEC2014	TJ	PS

CONDUCTOR LAYOUT

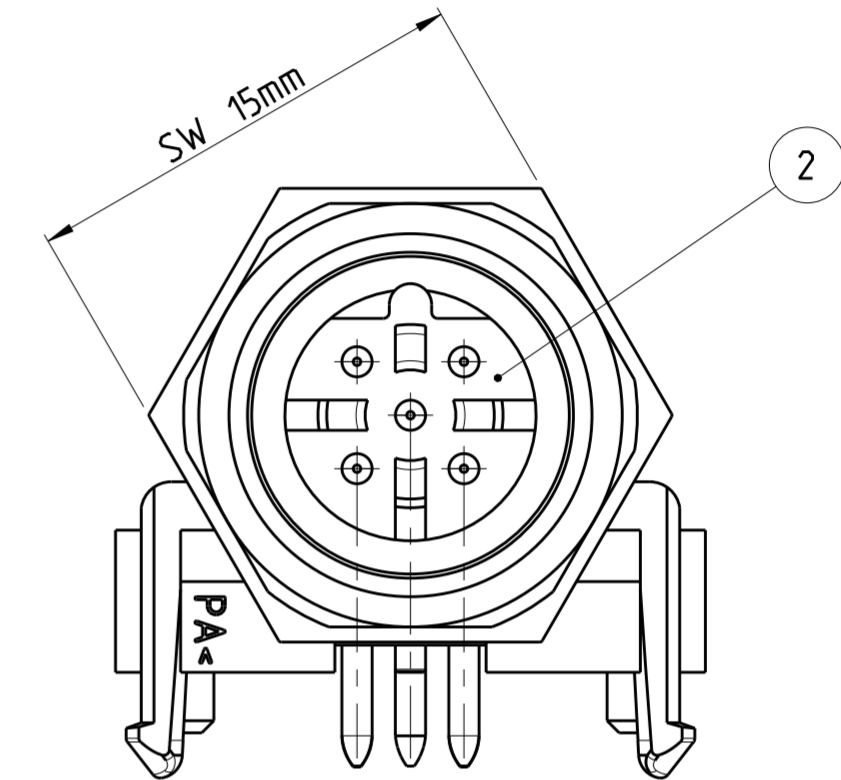
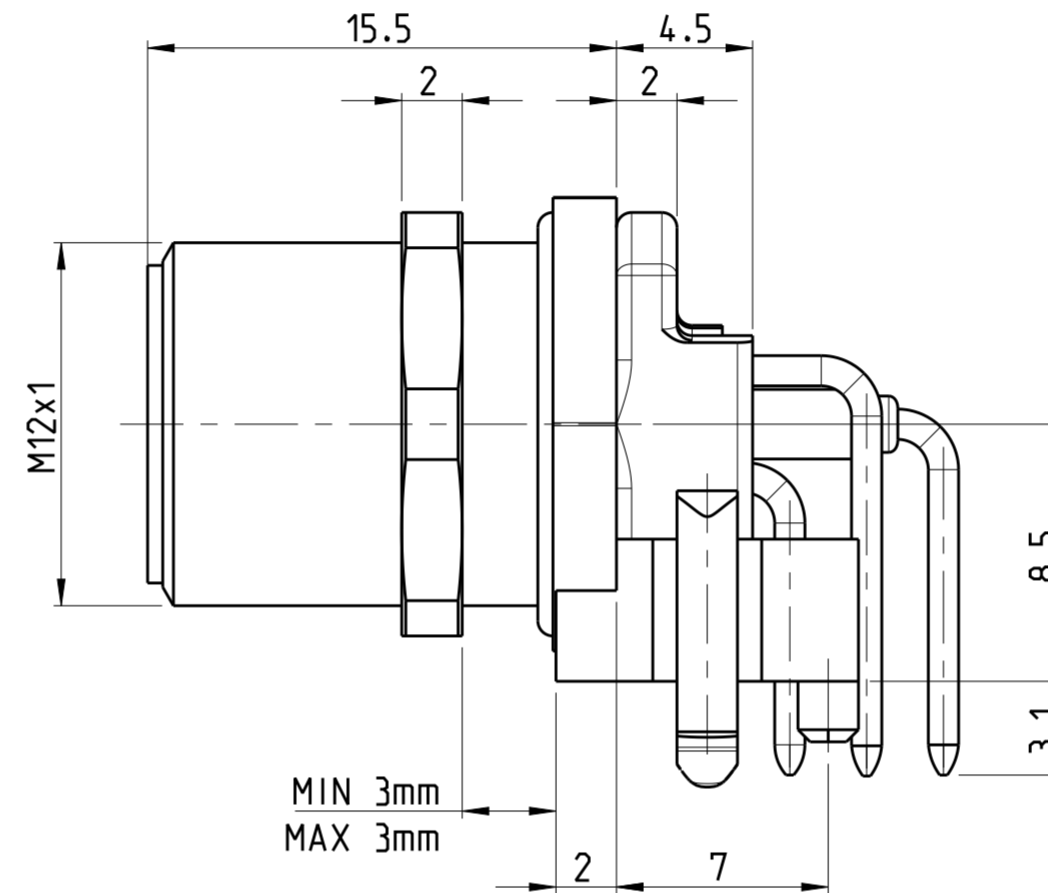
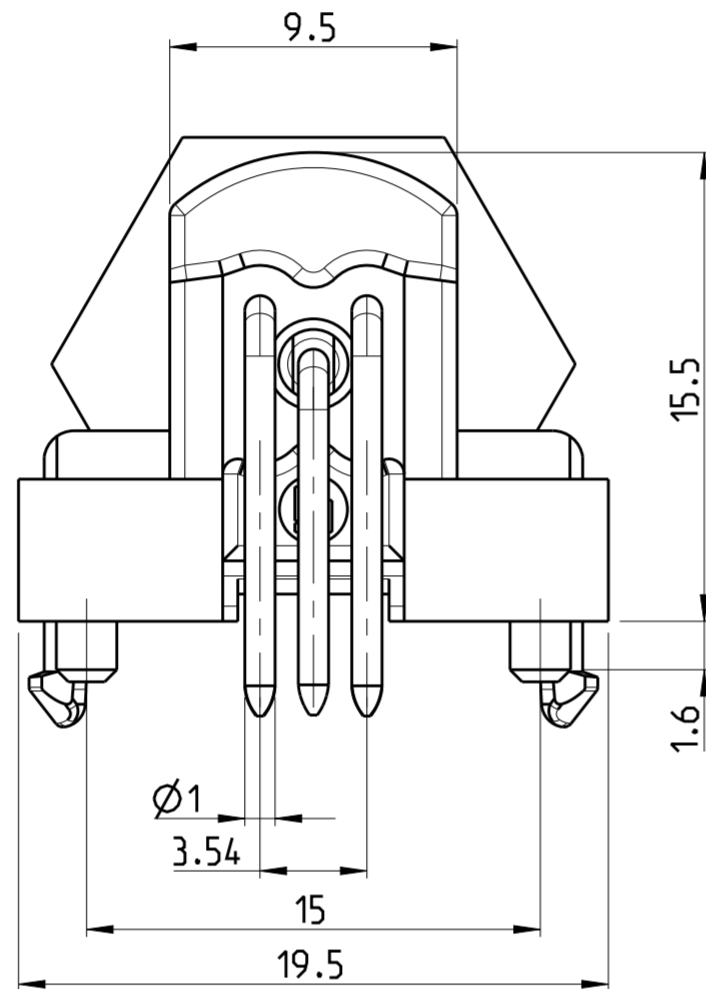


NOTES:

- 1 MATERIAL: ITEM NO. 1: HOUSING - CuZn (BRASS, NICKEL PLATED)
- ITEM NO. 2: CONTACT BODY - PA
- ITEM NO. 3: CONTACT - CuZn (BRASS)
- CONTACT FINISH - AU (GOLD)

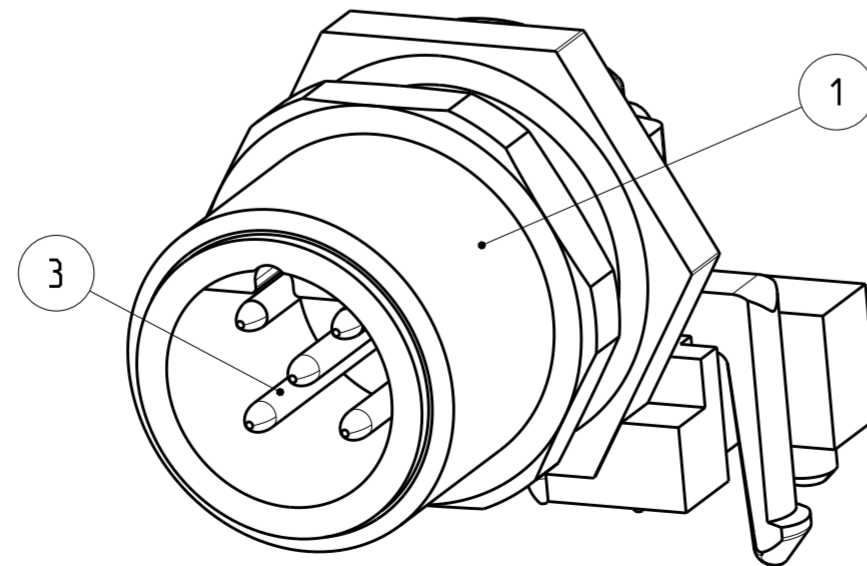
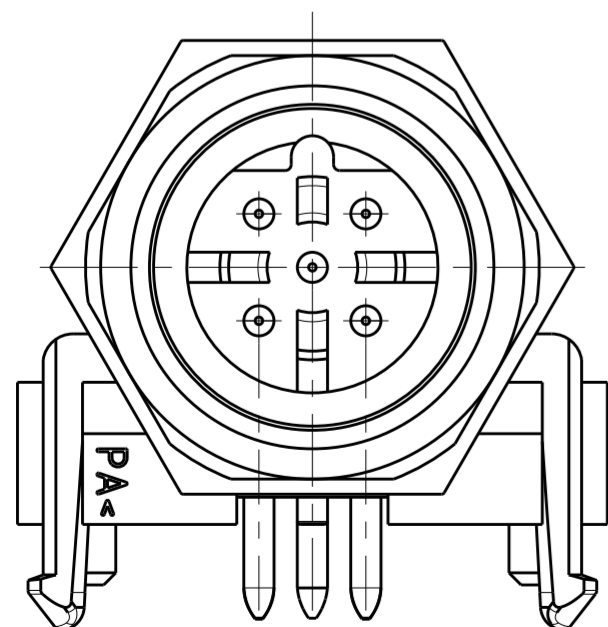
2 ALL DIMENSIONS ARE FOR NOMINAL REFERENCE ONLY UNLESS OTHERWISE STATED

TECHNICAL DATA	4-2172063-2
RATED VOLTAGE	125V
RATED IMPULSE VOLTAGE	1500V
POLLUTION DEGREE	3
OVERVOLTAGE CATEGORY	II
MATERIAL GROUP	III
RATED CURRENT	4A
VOLUME RESISTIVITY	≤ 3mΩ
DEGREE OF PROTECTION	IP68
UPPER TEMPERATURE	+85 °C
LOWER TEMPERATURE	+40 °C



PIN ARRANGEMENT B-CODING

4-2172063-2



SIZE ISO 14405 (E)

DIESE ZEICHNUNG IST EIN KONTROLLIERTES DOKUMENT. BEMASSUNGEN UND TOLERANZEN GEMAESS GPS (ISO STANDARDS).		DWN YASHKUMAR 25 JUL 2014
THIS DRAWING IS A CONTROLLED DOCUMENT. DIMENSIONING AND TOLERANCING PER GPS (ISO STANDARDS).		CHK M. BRUBAKER 25 JUL 2014
DIMENSIONS: MASSE/WEITEN: (MM)		APVD M. BRUBAKER 25 JUL 2014
TOLERANCES UNLESS OTHERWISE SPECIFIED: ALLGEMEINTOLERANZEN		NAME M. BRUBAKER
0 PLC ±		PRODUCT SPEC 108-19483
1 PLC ±		APPLICATION SPEC 114-32127
2 PLC ±		WEIGHT -
3 PLC ±		Customer Drawing
4 PLC ±		Customer Drawing
ANGLES/WINKEL ±		Customer Drawing
FINISH/OBERFLÄCHE/FARBE		Customer Drawing
SEE NOTES		Customer Drawing
SEE NOTES		Customer Drawing

5	4-2172063-2
MATERIAL	TE-PART-NO.

STE TE Connectivity

M12 RECEPTACLE, MALE, PCB MOUNT, ANGLED, SHIELDED, B-CODED

SIZE A2	CAGE CODE 00779	DRAWING NO. ZEICHNUNGS-NR. C-2172063	RESTRICTED TO NUR FÜR -
SCALE MASSSTAB 4:1	SHEET BLATT 1	OF VON 1	REV A