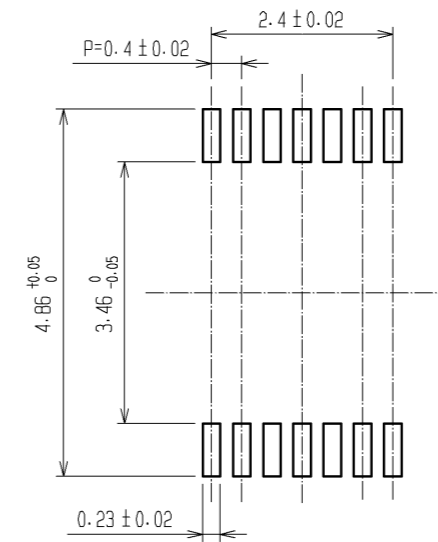
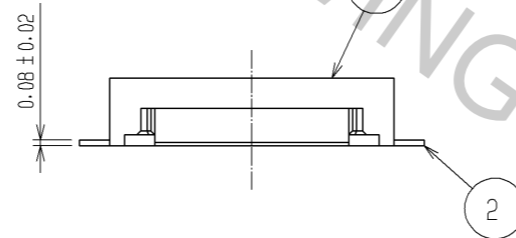
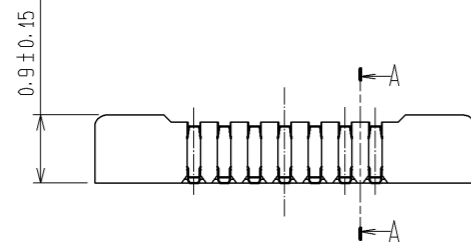


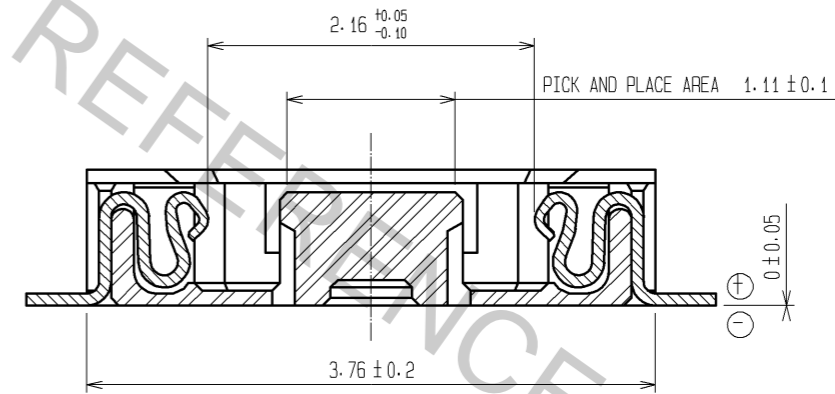
RECOMMENDED PATTERN



RECOMMENDED SOLDER PASTE THICKNESS: 120µm

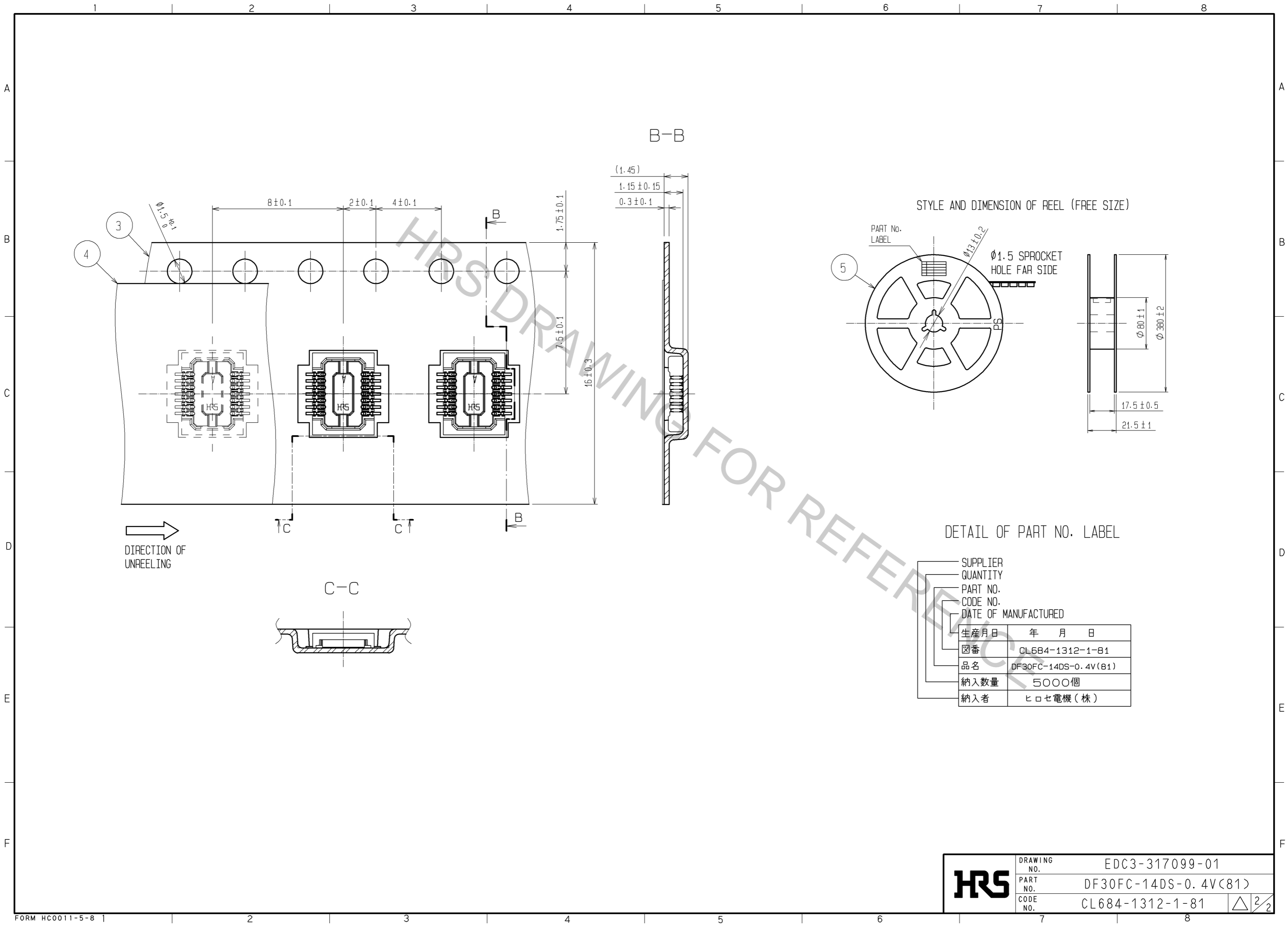


A-A(20:1)



- NOTES 1. ALL LEADS CO-PLANARITY SHALL BE 0.1 mm MAX.
 2. PER REEL : 5000 CONNECTORS.
 3. AT THE BEGINNING OF THE REEL, 100 mm AT MIN SHALL BE EMPTY POCKETS.
 AT THE END OF THE REEL, 160 mm AT MIN SHALL BE EMPTY POCKETS.
 4. CONTACT PLATING SPECIFICATIONS.
 CONTACT AREA : GOLD 0.05µm MIN.
 SMT LEAD : GOLD 0.02µm MIN.
 UNDERPLATING : NICKEL 1µm MIN.
 (SURFACE : SEALING)

2	PHOSPHOR BRONZE	4	5	PS	PLASTIC REEL (BLACK)		
1	LCP	UL94V-0, BLACK	4	POLYESTER	CLEAR(COVER TAPE)		
			3	PS	CLEAR(EMBOSSED CARRIER TAPE)		
NO.	MATERIAL	FINISH, REMARKS	NO.	MATERIAL	FINISH, REMARKS		
UNITS		SCALE	DESCRIPTION OF REVISIONS		DESIGNED	CHECKED	DATE
mm		10:1					
HRS HIROSE ELECTRIC CO., LTD.		APPROVED : KH. IKEDA	08.11.18	DRAWING NO. EDC3-317099-01			
		CHECKED : TS. MIYAZAKI	08.11.18	PART NO. DF30FC-14DS-0.4V(81)			
		DESIGNED : TH. YAMAMOTO	08.11.18	CODE NO. CL684-1312-1-81			
		DRAWN : AK. AOYAGI	08.11.18				



DETAIL OF PART NO. LABEL

SUPPLIER	
QUANTITY	
PART NO.	
CODE NO.	
DATE OF MANUFACTURED	
生産月日	年 月 日
☒番	CL684-1312-1-81
品名	DF30FC-14DS-0.4V(B1)
納入数量	5000個
納入者	ヒロセ電機(株)

HRS	DRAWING NO.	EDC3-317099-01
	PART NO.	DF30FC-14DS-0.4V(B1)
	CODE NO.	CL684-1312-1-81
		\triangle 2/2