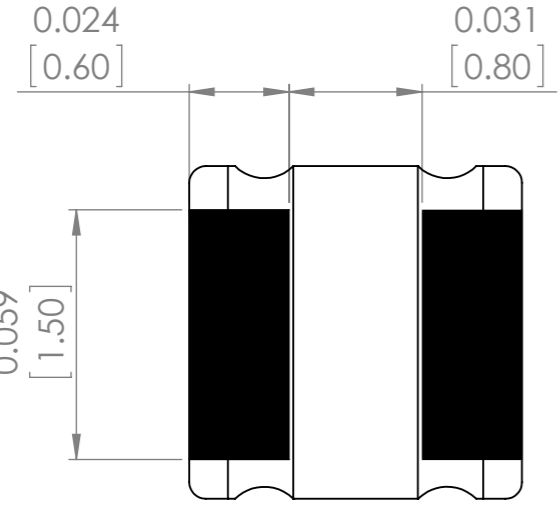
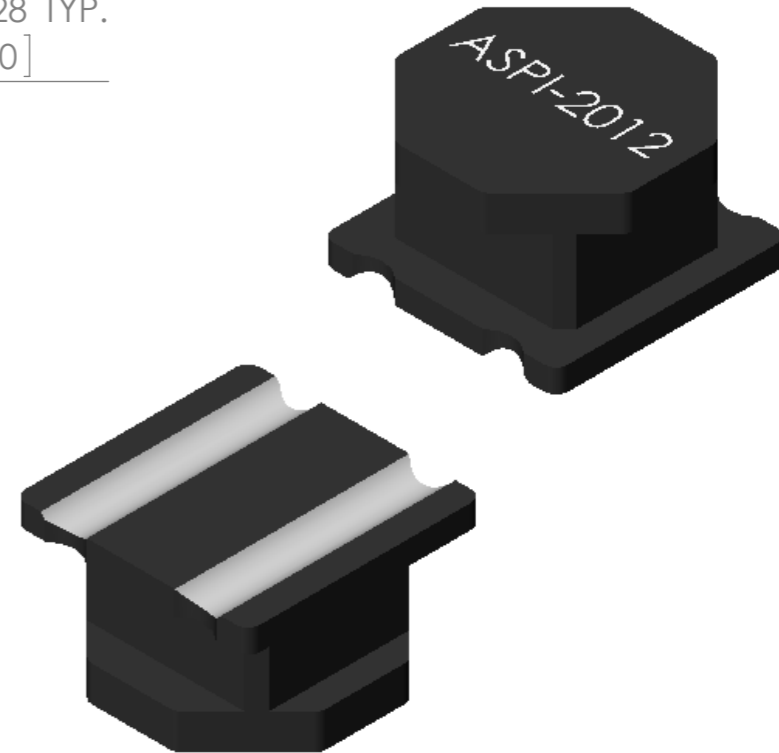
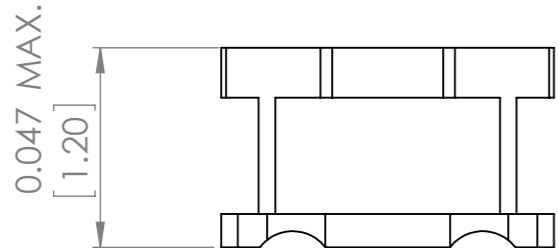
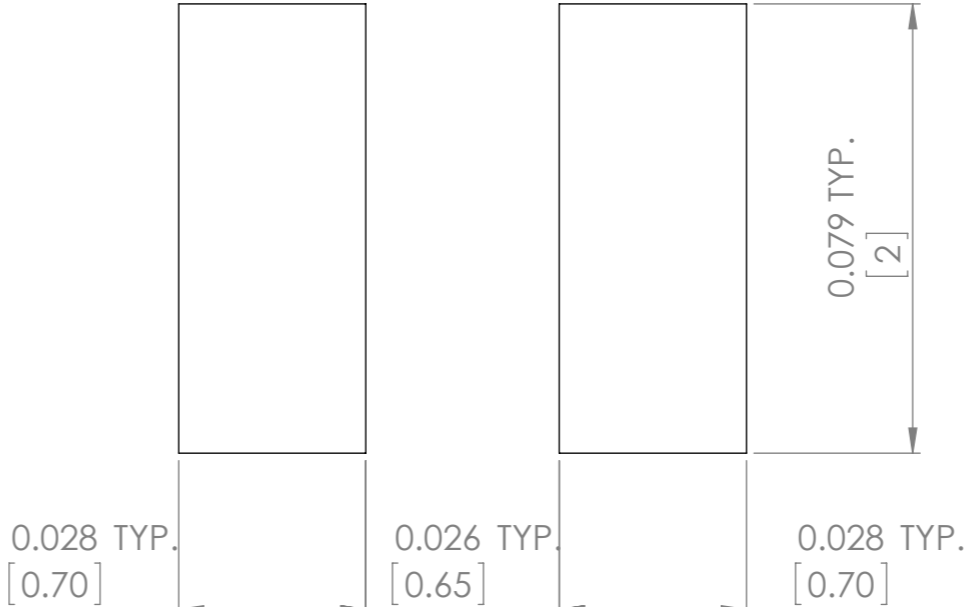
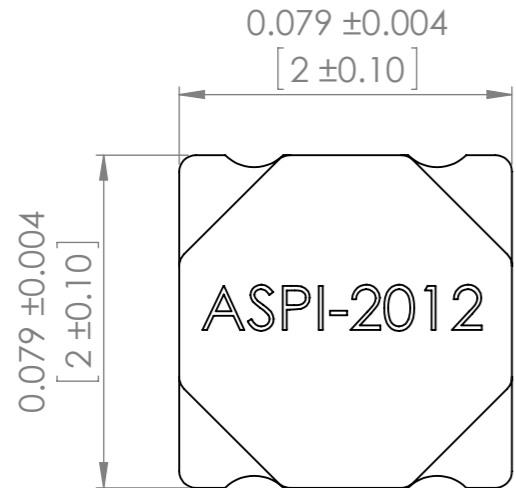



Recommended Land Pattern



UNLESS OTHERWISE SPECIFIED: DIMENSIONS ARE IN INCH(MM) SURFACE FINISH: TOLERANCES: LINEAR: ANGULAR:				FINISH:		DEBUR AND BREAK SHARP EDGES		DO NOT SCALE DRAWING		REVISION -	
DRAWN SAAZVAT				SIGNATURE		DATE		 30332 Esperanza, Rancho Santa margarita, California 92688			
CHK'D XXXXXX								TITLE: Low Profile			
APPV'D								DWG NO. ASPI-2012			
MFG								SCALE:22:1			
Q.A						MATERIAL:		SHEET 1 OF 1			
						WEIGHT:		A3			