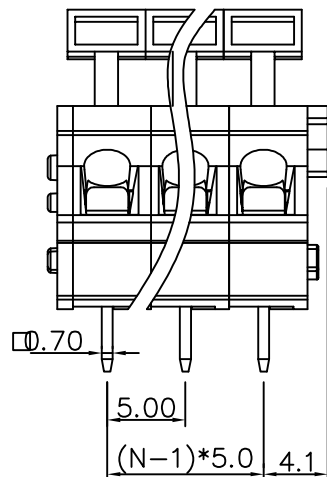
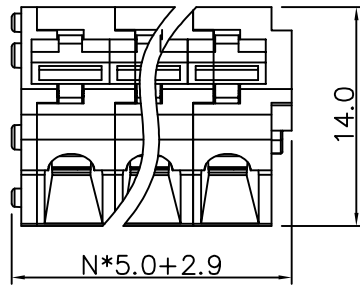
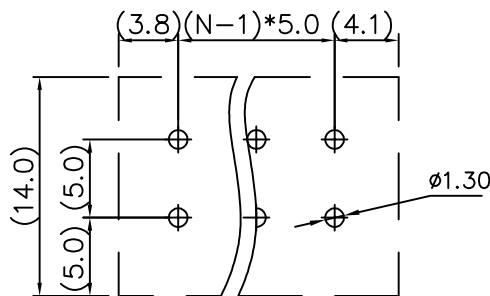
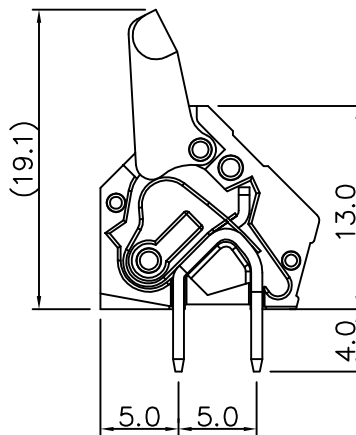


| | | | |
|------|------|-------------|----------|
| SIGN | DATE | DESCRIPTION | APPROVER |
| | | | |

THIS IS CAD DRAWING, DO NOT REVISE MANUALLY!!!



N=Number of poles



RECOMMENDED PCB LAYOUT

| Dim. Poles | 2P-6P | 7P-12P | 13P-18P | 19P-24P |
|------------|---------|---------|---------|---------|
| Dim. L | +/-0.20 | +/-0.25 | +/-0.30 | +/-0.40 |
| Dim. P | +/-0.20 | +/-0.25 | +/-0.30 | +/-0.40 |

Material

- Solder Pin: Brass, Tin plated
- Spring Clamp: Stainless Steel
- Terminal Housing: Thermoplastic (UL94V-0)
- Terminal Cover: Thermoplastic (UL94V-0)
- Terminal lever: Thermoplastic (UL94V-HB)

Electrical

- Voltage rating: 300V
- Current rating: 15A
- Wire range: Solid wire(AWG): 12-28, Stranded wire(AWG): 12-28
- Wire strip length: 6-7mm
- Withstanding Voltage: 1.6KV
- Operating temperature: -40°C to +105°C
- Soldering temperature: 250°C±10°C/5 Sec
- Safety Approval: cULus

RoHS Compliant

PART NUMBER:

OSTHTXX0080

- | | |
|-------------------|------------|
| No. of Poles: | COLOR |
| 01 1 Pole (basic | 0: Black |
| 02 block) | 5: Green |
| etc.2 Poles | 6: Blue |
| available in 1-24 | 8: Grey |
| Poles | (Standard) |



| | | | |
|-----------------|-----------------|------------------------|-----------------|
| TITLE | | OSTHT-5.0 Series | |
| PART NO. | | OSTHTXX0080 | |
| DWG NO. | | OSTHTXX0080.DWG | |
| APPROVED | CHECKED | DESIGNED | DRAWN |
| Kind 2006.01.13 | Kind 2006.01.13 | Kind 2006.01.13 | Kind 2006.01.13 |
| CUST NO. | | Tolerance | |
| SHEET: 01/01 | | UNIT: mm X. ±0.50 | |
| REV.: | | SCALE: NON EX.XX ±0.30 | |
| | | D X' ±1° | |

THESE DRAWINGS AND SPECIFICATIONS ARE THE PROPERTY OF ON-SHORE TECHNOLOGY, INC. AND SHALL NOT BE REPRODUCED, COPIED OR USED IN ANY MANNER WITHOUT THE PRIOR WRITTEN CONSENT OF ON-SHORE TECHNOLOGY, INC.

ON-SHORE TECHNOLOGY, INC.